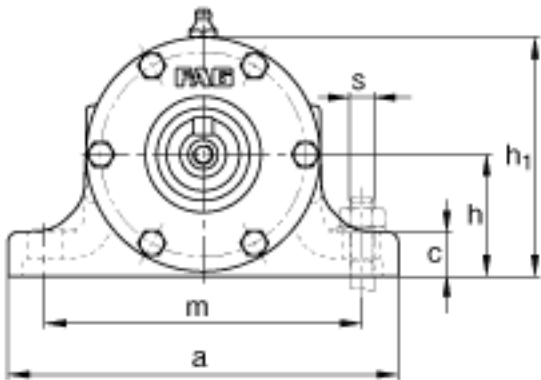
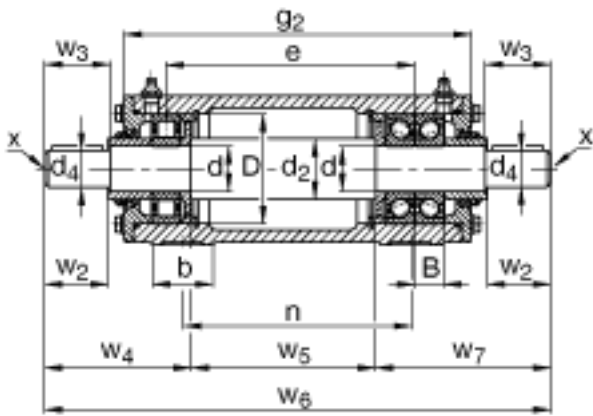
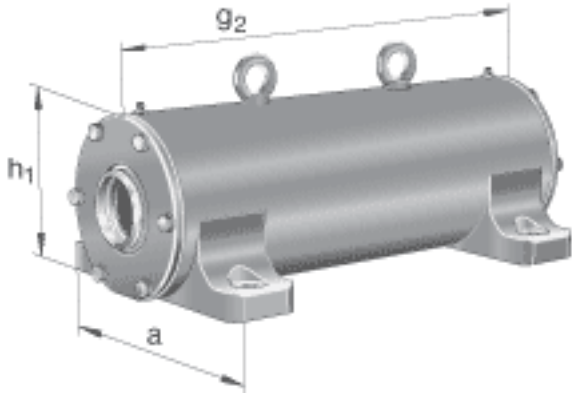


FAG VRE311-C参数

| | | | | |
|----------------|----------------|----------------|----|------------|
| 尺寸 | d | 55 | mm | - |
| | a | 260 | mm | - |
| | h ₁ | 158 | mm | - |
| | g ₂ | 407 | mm | - |
| | B | 29 | mm | - |
| | b | 60 | mm | - |
| | c | 25 | mm | - |
| | D | 120 | mm | - |
| | d ₂ | 65 | mm | - |
| | d ₄ | 48 | mm | - |
| | e | 323.5 | mm | - |
| | h | 80 | mm | - |
| | m | 210 | mm | - |
| | n | 300 | mm | - |
| | s | M16 | | - |
| | w ₂ | 110 | mm | - |
| | w ₃ | 112 | mm | - |
| | w ₄ | 181 | mm | - |
| | w ₅ | 260 | mm | - |
| | w ₆ | 651 | mm | - |
| w ₇ | 210 | mm | - | |
| 说明 | | NU311-E-TVP2 | | 型号, 轴承, 左侧 |
| | | 2 x 7311-B-TVP | | 型号, 轴承, 右侧 |
| | | VR311-C | | 轴承座 |
| | | VRW311-C | | 轴, 完全 |
| 重量 | m ₁ | 22500 | g | 质量, 轴承座 |
| | m ₂ | 40200 | g | 质量, 单元 |
| 说明 | | VRE3 | | 型号, 轴承单元系列 |

FAG VRE311-C图片



参考资料:<http://www.sozhou.com/p/012ed267.html>