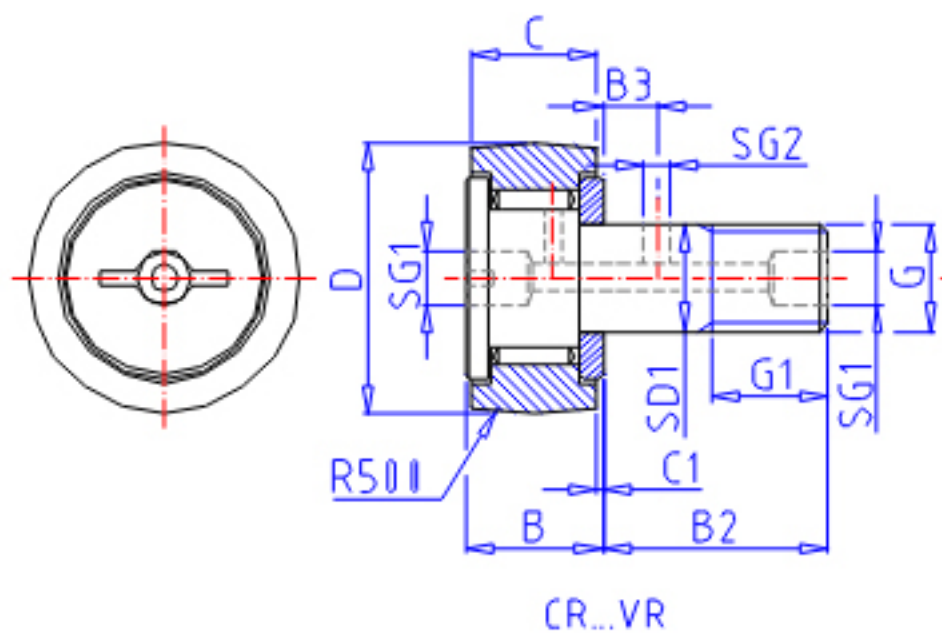
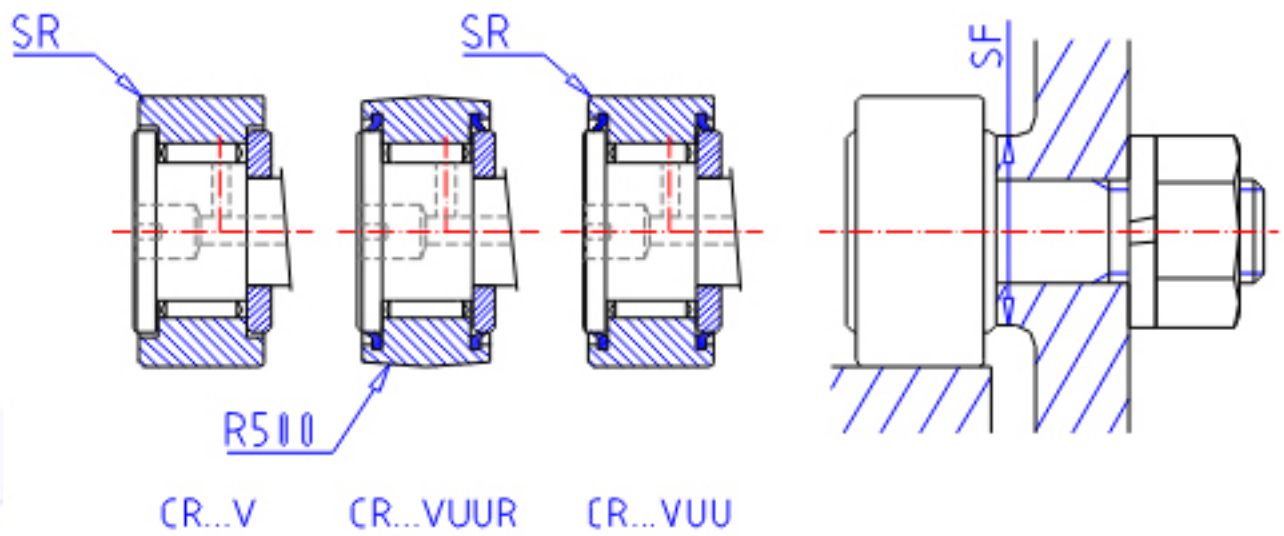


### IKO CR 18V参数

|        |        |         |        |      |   |
|--------|--------|---------|--------|------|---|
| 杆端直径   | STDRT  | 11.112  | mm     | 杆端直径 |   |
| 型号     | ORDER  | CR 18V  |        | 型号   |   |
| 重量     | MASS   | 85      | g      | 重量   |   |
| 主要尺寸   | D      | 28.575  | mm     | -    |   |
|        | C      | 15.875  | mm     | -    |   |
|        | SD1    | 11.112  | mm     | -    |   |
|        | G      | 7/16-20 |        | 螺纹规格 |   |
|        | G1     | 12.700  | mm     | 螺纹尺寸 |   |
|        | B      | 17.3    | mm     | -    |   |
|        | B2     | 25.400  | mm     | -    |   |
|        | B3     | 6.35    | mm     | -    |   |
|        | C1     | 0.794   | mm     | -    |   |
|        | SG1    | 4.762   | mm     | -    |   |
|        | SG2    | 3.175   | mm     | -    |   |
|        | SR     | 1.588   | mm     | (最小) |   |
|        | 安装尺寸   | SF      | 19.050 | mm   | - |
|        | 最大拧紧扭矩 | TRQ     | 17.4   | N. m | - |
| 基本额定载荷 | CR     | 13100   | N      | 动载荷  |   |
|        | COR    | 22700   | N      | 静载荷  |   |

### IKO CR 18V图片





参考资料:<http://www.sozhou.com/p/072dfcfb.html>

