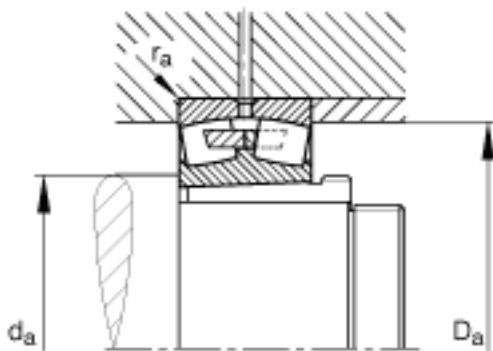
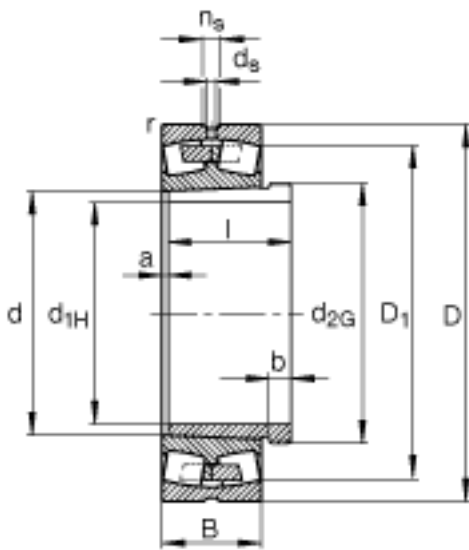
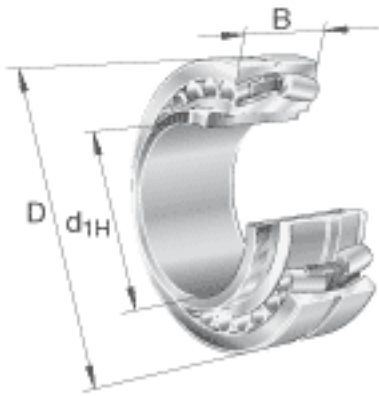


FAG 24196-B-K30-MB + AH24196参数

| | | | | | |
|--------|--------------|----------|---------|------------|--------|
| 疲劳极限载荷 | C_{ur} | 1190000 | N | 疲劳极限载荷，径向 | |
| 尺寸 | d_{1H} | 460 | mm | - | |
| | D | 790 | mm | - | |
| | B | 308 | mm | - | |
| | a | 25 | mm | - | |
| | b | 35 | mm | - | |
| | D_1 | 669.9 | mm | - | |
| | $D_{a\ max}$ | 758 | mm | - | |
| | d | 480 | mm | - | |
| | d_{2G} | Tr500x5 | | - | |
| | $d_{a\ min}$ | 512 | mm | - | |
| | d_s | 12.5 | mm | - | |
| | l | 343 | mm | - | |
| | n_s | 23.5 | mm | - | |
| | $r_{a\ max}$ | 6 | mm | - | |
| | r_{min} | 7.5 | mm | - | |
| | 说明 | | AH24196 | | 型号，退卸套 |
| | 重量 | m | 628000 | g | 质量 |
| m_1 | | 52900 | g | 质量，退卸套 | |
| 基本额定载荷 | C_r | 8000000 | N | 基本额定动载荷，径向 | |
| 计算系数 | e | 0.39 | | - | |
| | Y_1 | 1.75 | | - | |
| | Y_2 | 2.61 | | - | |
| 基本额定载荷 | C_{0r} | 16600000 | N | 基本额定静载荷，径向 | |
| 计算系数 | Y_0 | 1.71 | | - | |
| 极限转速 | n_G | 630 | r/min | 极限转速 | |
| 参考转速 | n_B | 214 | r/min | 参考速度 | |

FAG 24196-B-K30-MB + AH24196图片



参考资料:<http://www.sozhou.com/p/09f34e3c.html>