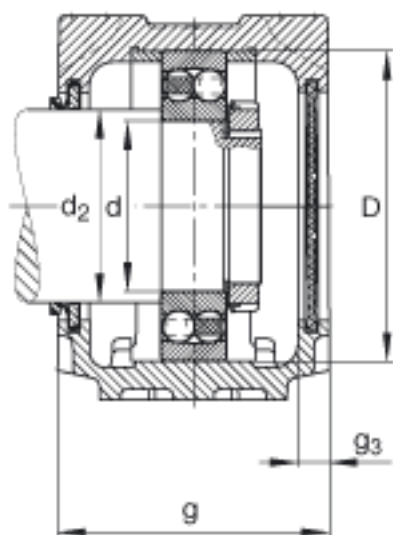
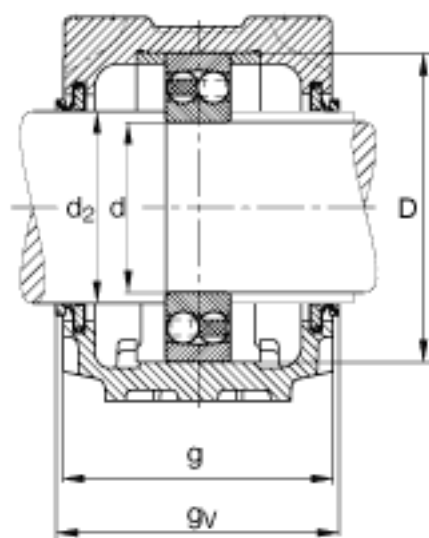
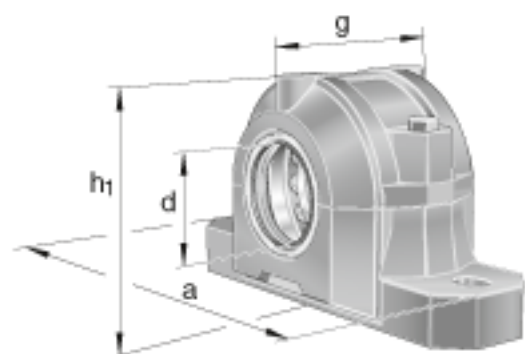
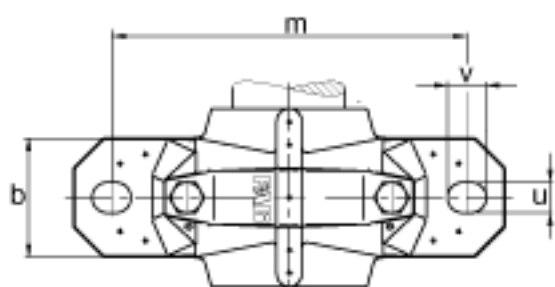


FAG SNV080-F-L + 2307 + DHV307参数

| | | | | |
|----|----------------|------------|----|-----------|
| 尺寸 | b | 60 | mm | - |
| | c | 25 | mm | - |
| | D | 80 | mm | - |
| | d ₂ | 45 | mm | - |
| | g ₃ | 10.5 | mm | - |
| | g _v | 93 | mm | - |
| | h | 60 | mm | - |
| | m | 170 | mm | - |
| | s | M12 | | - |
| | s | 12.7 | mm | - |
| | u | 15 | mm | - |
| 重量 | m ₁ | 2900 | g | 质量, 轴承座 |
| 说明 | | 2307 | | 型号, 轴承 |
| | | KM7 | | 型号, 锁紧螺母 |
| | | MB7 | | 型号, 爪式垫圈 |
| | | FRM80/4 | | 型号, 定位圈 |
| | | DHV307 | | 型号, V 型密封 |
| | | DKV080 | | 型号, 端盖 |
| | | SNV080-F-L | | 型号, 轴承座 |
| 尺寸 | d | 35 | mm | - |
| | a | 205 | mm | - |
| | h ₁ | 112 | mm | - |
| | g | 85 | mm | - |
| | v | 20 | mm | - |

FAG SNV080-F-L + 2307 + DHV307图片





参考资料:<http://www.sozhou.com/p/0a22b7db.html>