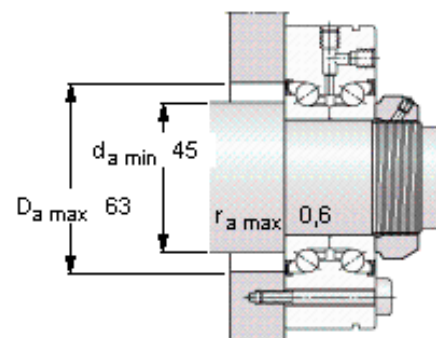
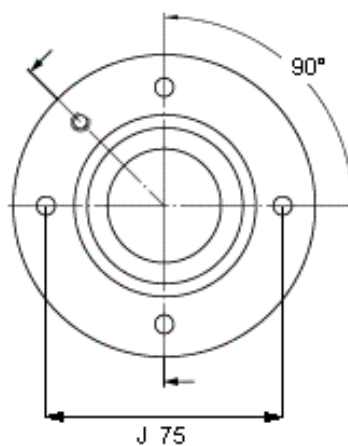
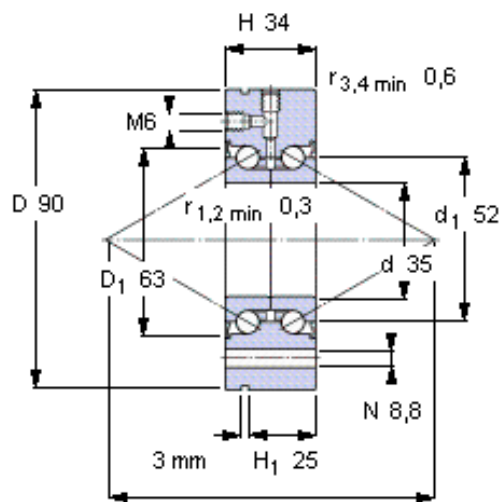


SKF BEAM 035090-2RS参数

主要尺寸	d	35	mm	-
	D	90	mm	-
	H	34	mm	-
基本额定载荷	C	41000	N	动载荷
	C_0	88000	N	静载荷
疲劳载荷极限	P_u	3250	N	-
可达转速	Attainable speed	2400	r/min	-
重量	重量	1150	g	-
型号	型号	BEAM 035090-2RS	-	-

SKF BEAM 035090-2RS图片



Preload¹⁾ [N]

2250

Frictional moment¹⁾ [Nm]

(guideline value)

0,6

¹⁾ Values apply to unmounted bearings

Static stiffness¹⁾

(guideline values)

Axial [N/μm] 900

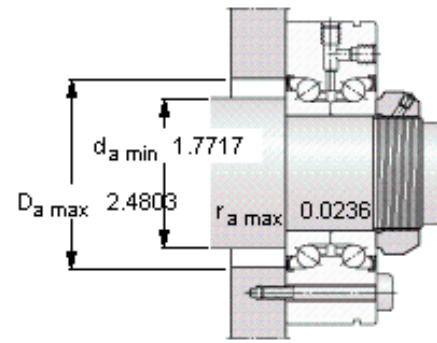
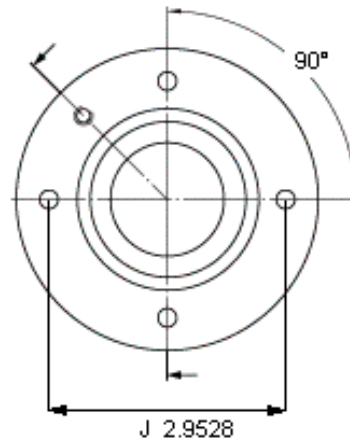
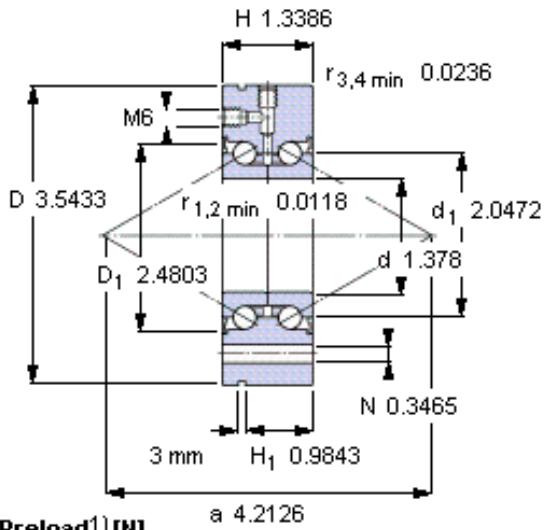
Moment [Nm/mrad] 400

Required attachment bolts

(no. of bolts x pitch)

4 x 90°

参考资料: <http://www.sozhou.com/p/0eb927f9.html>



Preload¹⁾ [N]

2250

Frictional moment¹⁾ [Nm]

(guideline value)

0,6

¹⁾ Values apply to unmounted bearings

Static stiffness¹⁾

(guideline values)

Axial [N/μm] 900

Moment [Nm/mrad] 400

Required attachment bolts

(no. of bolts x pitch)

4 x 90°