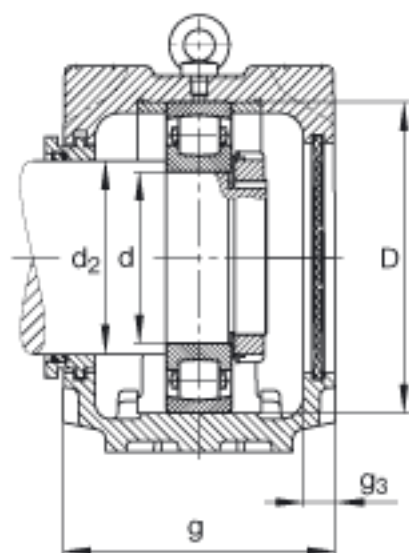
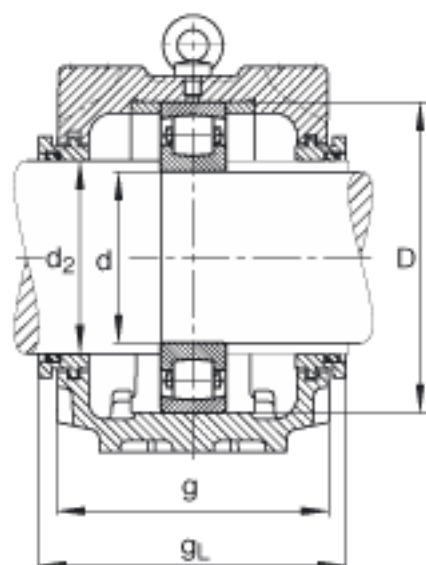
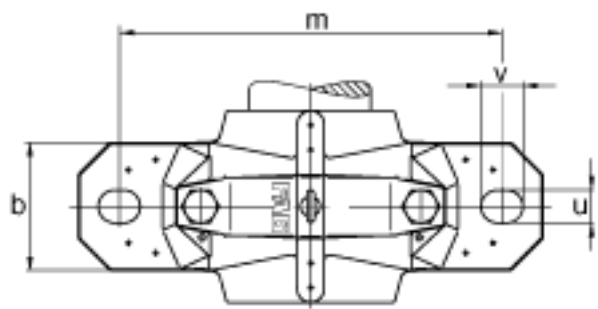
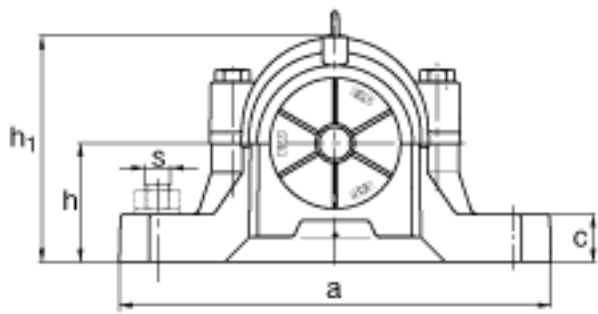


FAG SNV270-F-L + 20230 + TSV230参数

|    |       |             |       |          |
|----|-------|-------------|-------|----------|
| 尺寸 | d     | 150         | mm    | -        |
|    | a     | 530         | mm    | -        |
|    | $h_1$ | 328         | mm    | -        |
|    | g     | 215         | mm    | -        |
|    | b     | 160         | mm    | -        |
|    | c     | 60          | mm    | -        |
|    | D     | 270         | mm    | -        |
|    | $d_2$ | 165         | mm    | -        |
|    | $g_3$ | 18          | mm    | -        |
|    | $g_L$ | 233.3       | mm    | -        |
|    | h     | 160         | mm    | -        |
|    | m     | 450         | mm    | -        |
|    | s     | M30         |       | -        |
|    | s     | 31.75       | mm    | -        |
|    | u     | 35          | mm    | -        |
|    | v     | 42          | mm    | -        |
|    | 重量    | $m_1$       | 45500 | g        |
| 说明 |       | 20230       |       | 型号, 轴承   |
|    |       | KM30        |       | 型号, 锁紧螺母 |
|    |       | MB30        |       | 型号, 爪式垫圈 |
|    |       | FRM270/30.5 |       | 型号, 定位圈  |
|    |       | TSV230      |       | 型号, 迷宫密封 |
|    |       | DKV270      |       | 型号, 端盖   |
|    |       | SNV270-F-L  |       | 型号, 轴承座  |

FAG SNV270-F-L + 20230 + TSV230图片





参考资料:<http://www.sozhou.com/p/0f4473d8.html>