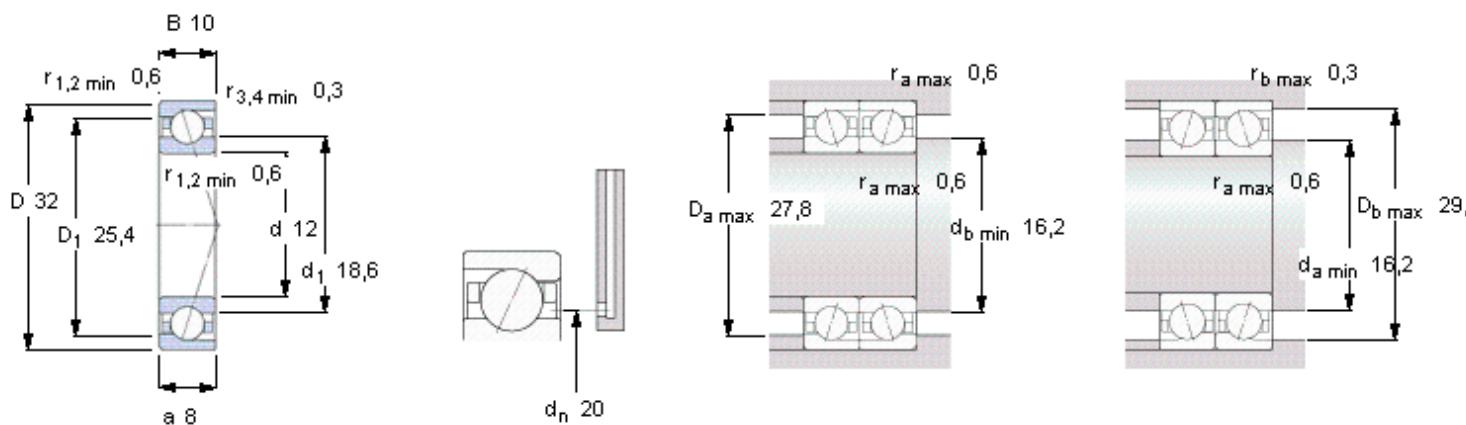


SKF 7201 CD/P4A参数

| | | | | |
|--------|---------|-------------|-------|-----|
| 主要尺寸 | d | 12 | mm | - |
| | D | 32 | mm | - |
| | B | 10 | mm | - |
| 基本额定载荷 | C | 5850 | N | 动载荷 |
| | C_0 | 2550 | N | 静载荷 |
| 疲劳载荷极限 | P_u | 108 | N | - |
| 可达转速 | Grease | 53000 | r/min | - |
| | Oil-air | 80000 | r/min | - |
| 重量 | 重量 | 37 | g | - |
| 型号 | 型号 | 7201 CD/P4A | - | - |

SKF 7201 CD/P4A图片



Ball diameter 5,556

Number of balls 10

未安装时的预载荷 [N]

背对背配置，面对面配置

预载荷等级

| A | B | C | D |
|----|----|----|-----|
| 22 | 44 | 88 | 176 |

Static axial stiffness [N/μm]

(guideline value)

预载荷等级

| A | B | C | D |
|----|----|----|----|
| 16 | 22 | 30 | 42 |

Reference grease quantity [cm³]

G_{ref} 0,51

计算系数

for equivalent bearing load

f₀ 8,5

for preload in mounted bearing sets

f 1,02

f₁ 1

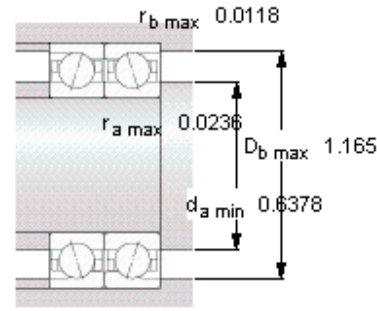
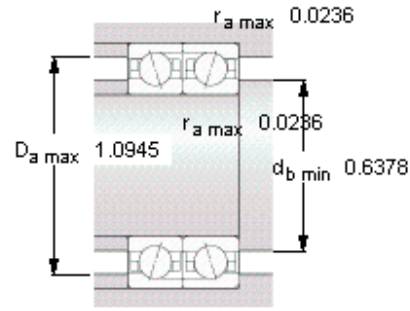
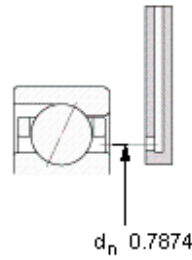
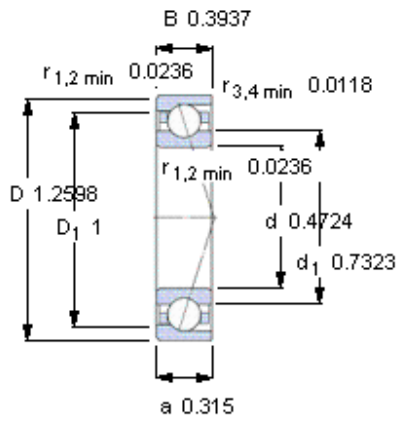
f_{2A} 1

f_{2B} 1,01

f_{2C} 1,03

f_{2D} 1,05

f_{HC} 1



Ball diameter 5,556

Number of balls 10

未安装时的预载荷 [N]

背对背配置，面对面配置

预载荷等级

| A | B | C | D |
|----|----|----|-----|
| 22 | 44 | 88 | 176 |

Static axial stiffness [N/μm]

(guideline value)

预载荷等级

| A | B | C | D |
|----|----|----|----|
| 16 | 22 | 30 | 42 |

Reference grease quantity [cm³]

G_{ref} 0,51

计算系数

for equivalent bearing load

f₀ 8,5

for preload in mounted bearing sets

f 1,02

f₁ 1

f_{2A} 1

f_{2B} 1,01

f_{2C} 1,03

f_{2D} 1,05

f_{HC} 1