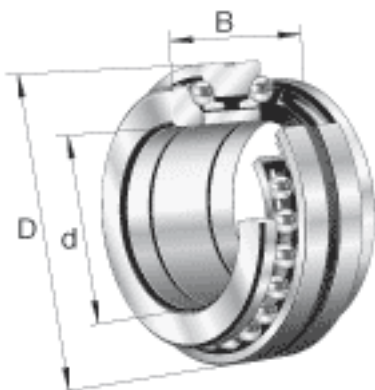
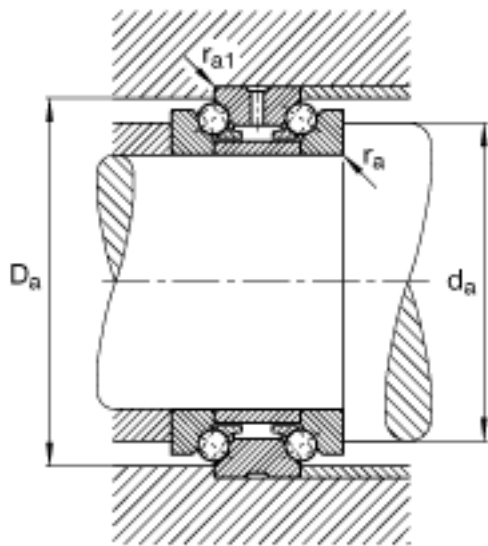
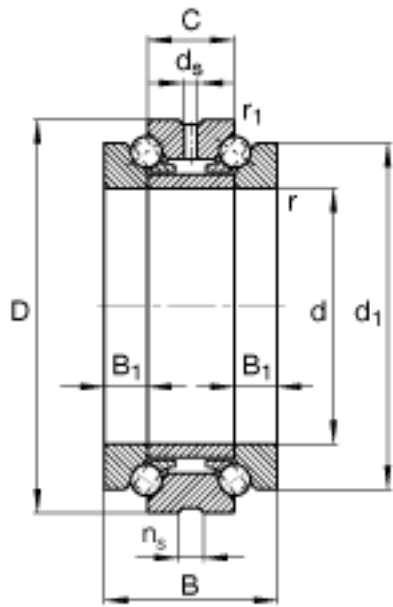


FAG 234719-M-SP参数

| | | | | |
|--------|---------------------|--------|-------|-------------|
| 尺寸 | d | 98 | mm | - |
| | D | 145 | mm | - |
| | B | 60 | mm | - |
| | B ₁ | 15 | mm | - |
| | C | 30 | mm | - |
| | D _a H12 | 135.5 | mm | - |
| | d ₁ | 128 | mm | - |
| | d _a h12 | 115.5 | mm | - |
| | d _s | 4.8 | mm | - |
| | n _s | 9.5 | mm | - |
| | r ₁ min | 0.3 | mm | - |
| | r _a max | 1.5 | mm | - |
| | r _{a1} max | 0.3 | mm | - |
| | r _{min} | 1.5 | mm | - |
| | 重量 | m | 2450 | g |
| 基本额定载荷 | C _a | 66000 | N | 基本额定动载荷, 轴向 |
| | C _{0a} | 219000 | N | 基本额定静载荷, 轴向 |
| 极限转速 | n _G Fett | 4000 | r/min | 脂润滑时的极限转速 |
| | n _G Öl | 5300 | r/min | 最少油润滑时的极限转速 |
| 疲劳极限载荷 | C _{ua} | 17900 | N | 疲劳极限载荷, 轴向 |

FAG 234719-M-SP图片





参考资料:<http://www.sozhou.com/p/1584e498.html>