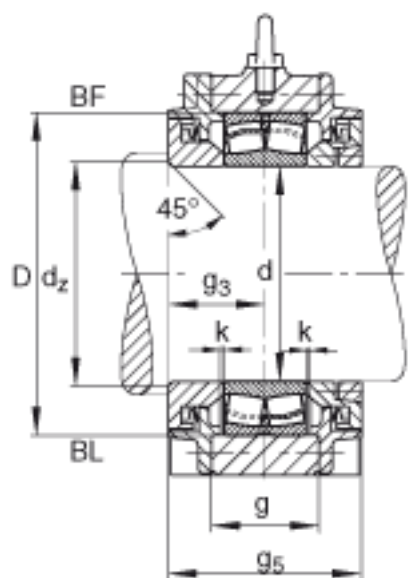


FAG BND3222-Z-T-BL-S参数

| | | | | |
|----|----------------|---------|----|---------|
| 尺寸 | d | 110 | mm | - |
| | a | 440 | mm | - |
| | h ₁ | 280 | mm | - |
| | b | 130 | mm | - |
| | c | 42 | mm | - |
| | D | 200 | mm | - |
| | d _Z | 118 | mm | - |
| | g | 89.8 | mm | - |
| | g ₃ | 91 | mm | - |
| | g ₅ | 182 | mm | - |
| | h | 140 | mm | - |
| | k | 2.5 | mm | - |
| | m | 350 | mm | - |
| | n | 70 | mm | - |
| | s | M24 | | - |
| 说明 | s ₂ | M12 | | - |
| 尺寸 | t | 230 | mm | - |
| | u | 30 | mm | - |
| | v | 35 | mm | - |
| 说明 | s ₂ | 6 | | 数量 |
| | | 23222 | | 型号, 轴承 |
| 重量 | m ₁ | 35000 | g | 质量, 轴承座 |
| 说明 | | BND3222 | | 型号, 轴承座 |

FAG BND3222-Z-T-BL-S图片



参考资料:<http://www.sozhou.com/p/19cd6896.html>