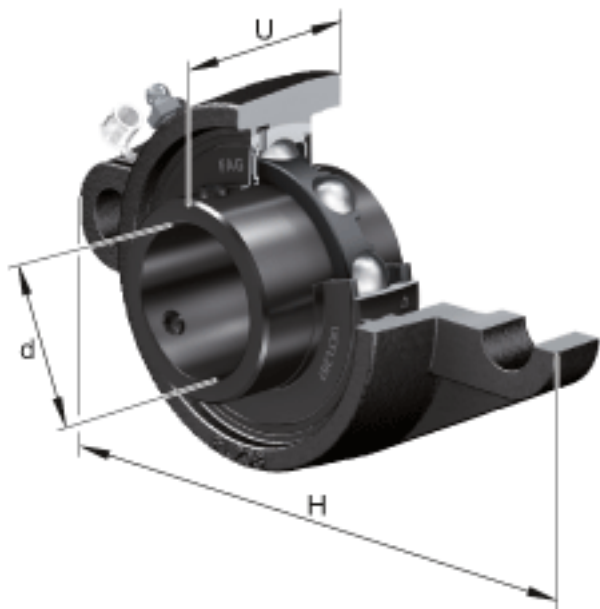
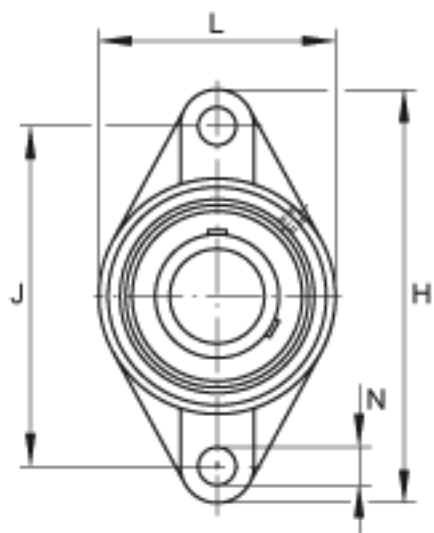


FAG UCFL214-44参数

| | | | | |
|----|----------------|----------|----|------------|
| 尺寸 | H | 265 | mm | - |
| | d | 69.85 | mm | - |
| | U | 75.4 | mm | - |
| | A | 54 | mm | - |
| | A ₁ | 24 | mm | - |
| | A ₂ | 31 | mm | - |
| | B | 74.6 | mm | - |
| | J | 216 | mm | - |
| | L | 160 | mm | - |
| | N | 23 | mm | - |
| 重量 | m | 5250 | g | 重量 |
| 说明 | | FL214 | | 型号, 轴承座 |
| | | UC214-44 | | 型号, 外球面球轴承 |

FAG UCFL214-44图片





参考资料:<http://www.sozhou.com/p/1a33381e.html>