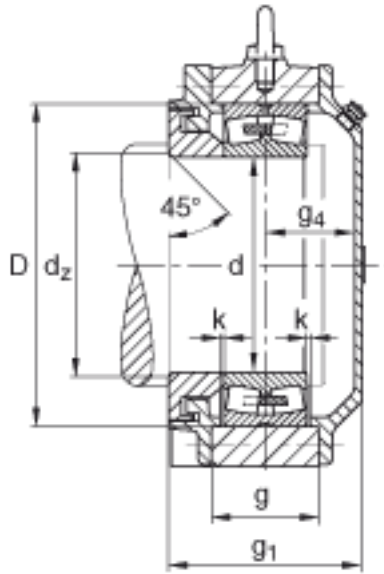


FAG BND3064-Z-Y-AL-S参数

| | | | | |
|----|----------------|---------|----|---------|
| 尺寸 | d | 320 | mm | - |
| | a | 860 | mm | - |
| | h ₁ | 590 | mm | - |
| | g ₁ | 266 | mm | - |
| | b | 260 | mm | - |
| | c | 90 | mm | - |
| | D | 480 | mm | - |
| | d _z | 336 | mm | - |
| | g | 150 | mm | - |
| | g ₄ | 123 | mm | - |
| | h | 295 | mm | - |
| | k | 4 | mm | - |
| | m | 730 | mm | - |
| | n | 160 | mm | - |
| | s | M36 | | - |
| 说明 | s ₂ | M16 | | - |
| 尺寸 | t | 530 | mm | - |
| | u | 42 | mm | - |
| | v | 52 | mm | - |
| 说明 | s ₂ | 8 | | 数量 |
| | | 23064 | | 型号, 轴承 |
| 重量 | m ₁ | 250000 | g | 质量, 轴承座 |
| 说明 | | BND3064 | | 型号, 轴承座 |

FAG BND3064-Z-Y-AL-S图片



参考资料:<http://www.sozhou.com/p/1b17c6bb.html>

