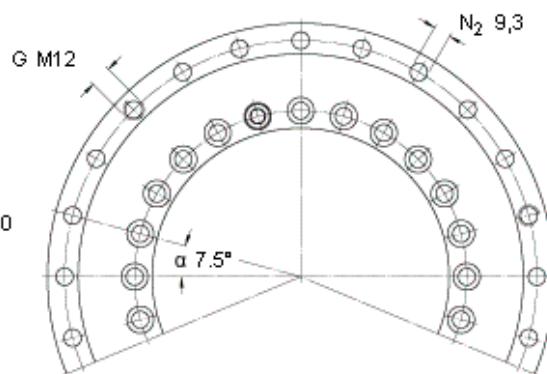
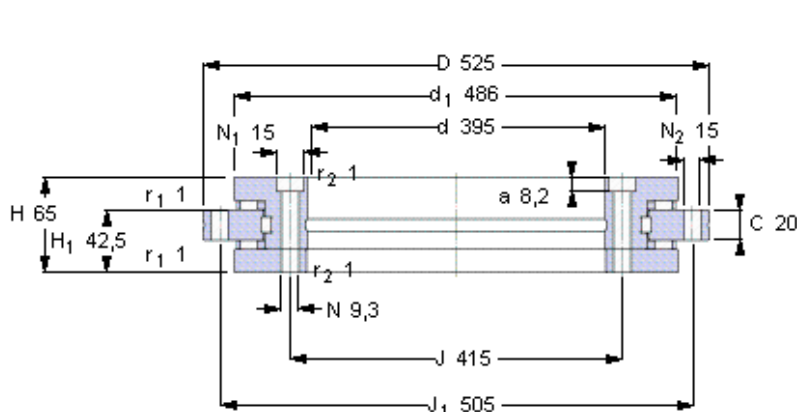


SKF NRT 395 A参数

主要尺寸	d	395	mm	-
	D	525	mm	-
	H	65	mm	-
基本额定载荷	C	147000	N	动载荷
	C_0	530000	N	静载荷
	C	166000	N	动载荷
	C_0	1960000	N	静载荷
极限转速	Grease lubrication	90	r/min	-
	Oil lubrication	180	r/min	-
Guideline rotary table diameter	Guideline rotary table diameter	800	mm	-
重量	重量	33000	g	-
型号	型号	NRT 395 A	-	-

SKF NRT 395 A图片



Axial preload [kN] 14
(average value)

Axial unloading force [kN] 30
(average value)

Frictional moment C_{RL} [Nm] 55
(guideline value)

Stiffness
(values refer to the roller set)

Axial [kN/ μ m]	33,6
Radial [kN/ μ m]	10,6
Movement [kNm/mrad]	672

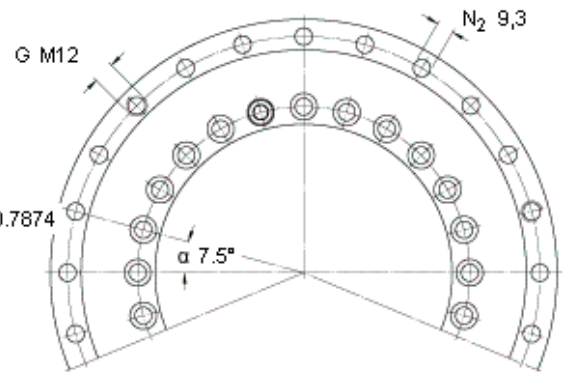
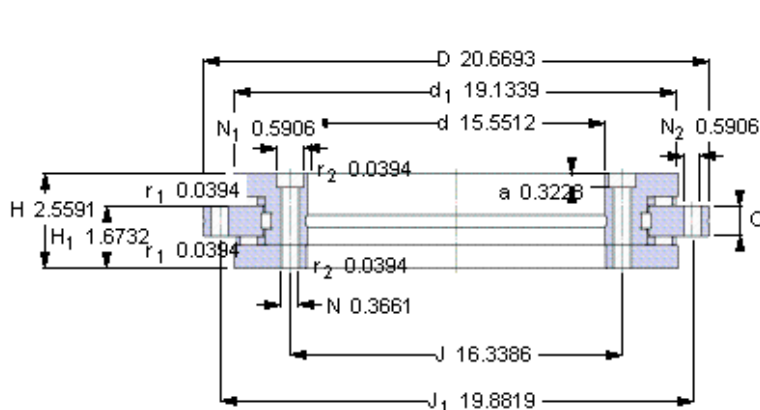
Retaining bolts 2 x M8 , 180°

Removal threads G 3 x M12 , 120°

Required attachment bolts

Shaft (no. of bolts x pitch)	46 x 7.5°
with 2 positions omitted at 180° apart at retaining bolt positions	
Housing (no. of bolts x pitch)	45 x 7.5°
with 3 positions omitted at 120° apart at removal thread positions	

Recommended tightening torque for attachment bolts grade 10.9 [Nm]
34 (M8)



Axial preload [kN] 14
(average value)

Axial unloading force [kN] 30
(average value)

Frictional moment C_{RL} [Nm] 55
(guideline value)

Stiffness
(values refer to the roller set)

Axial [kN/ μ m]	33,6
Radial [kN/ μ m]	10,6
Movement [kNm/mrad]	672

Retaining bolts 2 x M8 , 180°

Removal threads G 3 x M12 , 120°

Required attachment bolts

Shaft (no. of bolts x pitch)	46 x 7.5°
with 2 positions omitted at 180° apart at retaining bolt positions	
Housing (no. of bolts x pitch)	45 x 7.5°
with 3 positions omitted at 120° apart at removal thread positions	

Recommended tightening torque for attachment bolts grade 10.9 [Nm]
1.3386 (M8)

参考资料: <http://www.sozhou.com/p/1c6c339b.html>