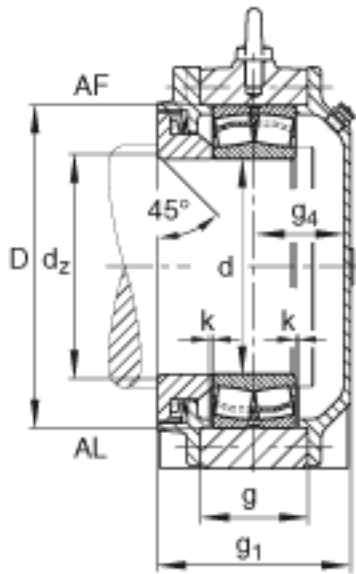


FAG BND3040-Z-T-AL-S参数

|    |                |         |    |         |
|----|----------------|---------|----|---------|
| 尺寸 | n              | 110     | mm | -       |
|    | s              | M30     |    | -       |
| 说明 | s <sub>2</sub> | M16     |    | -       |
| 尺寸 | t              | 340     | mm | -       |
|    | u              | 36      | mm | -       |
|    | v              | 45      | mm | -       |
| 说明 | s <sub>2</sub> | 8       |    | 数量      |
|    |                | 23040   |    | 型号, 轴承  |
| 重量 | m <sub>1</sub> | 95000   | g  | 质量, 轴承座 |
| 说明 |                | BND3040 |    | 型号, 轴承座 |
| 尺寸 | d              | 200     | mm | -       |
|    | a              | 600     | mm | -       |
|    | h <sub>1</sub> | 400     | mm | -       |
|    | g <sub>1</sub> | 196     | mm | -       |
|    | b              | 190     | mm | -       |
|    | c              | 60      | mm | -       |
|    | D              | 310     | mm | -       |
|    | d <sub>z</sub> | 208     | mm | -       |
|    | g              | 110     | mm | -       |
|    | g <sub>4</sub> | 90      | mm | -       |
|    | h              | 200     | mm | -       |
|    | k              | 3       | mm | -       |
|    | m              | 510     | mm | -       |

FAG BND3040-Z-T-AL-S图片



参考资料: <http://www.sozhou.com/p/212bb279.html>

