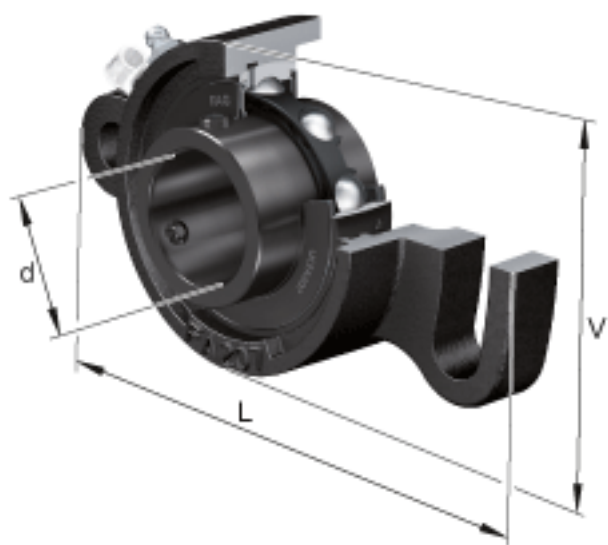
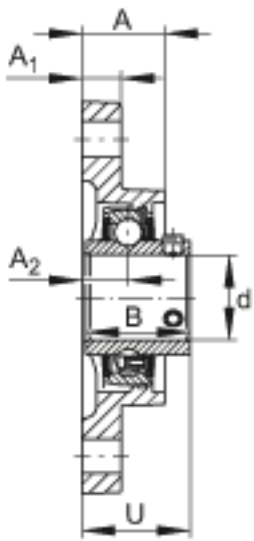
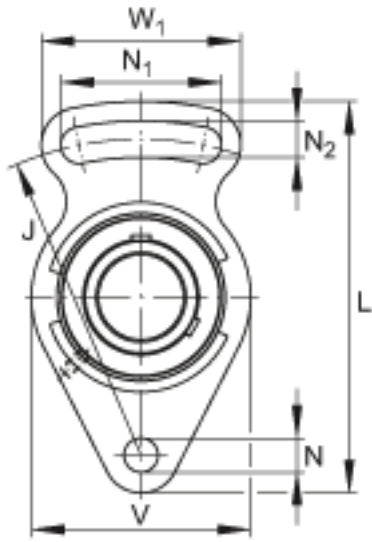


### FAG UCFA208-24参数

|    |                |          |      |            |
|----|----------------|----------|------|------------|
| 尺寸 | d              | 38.1     | mm   | -          |
|    | L              | 175      | mm   | -          |
|    | V              | 100      | mm   | -          |
|    | A              | 36       | mm   | -          |
|    | A <sub>1</sub> | 16       | mm   | -          |
|    | A <sub>2</sub> | 21       | mm   | -          |
|    | B              | 49.2     | mm   | -          |
|    | J              | 144      | mm   | -          |
|    | N              | 14       | mm   | -          |
|    | N <sub>1</sub> | 71       | mm   | -          |
|    | N <sub>2</sub> | 14       | mm   | -          |
|    | U              | 51.2     | mm   | -          |
|    | W <sub>1</sub> | 87       | mm   | -          |
|    | 重量             | m        | 1580 | g          |
| 说明 |                | FA208    |      | 型号, 轴承座    |
|    |                | UC208-24 |      | 型号, 外球面球轴承 |

### FAG UCFA208-24图片





参考资料:<http://www.sozhou.com/p/22a97ad7.html>