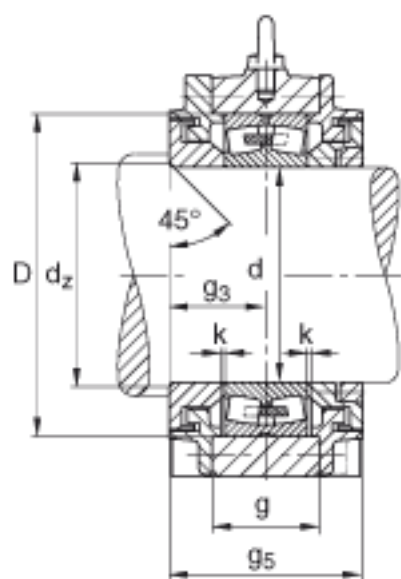


FAG BND3076-Z-Y-BL-S参数

| | | | | |
|----|----------------|---------|----|---------|
| 尺寸 | d | 380 | mm | - |
| | a | 1000 | mm | - |
| | h ₁ | 680 | mm | - |
| | b | 300 | mm | - |
| | c | 105 | mm | - |
| | D | 560 | mm | - |
| | d _Z | 400 | mm | - |
| | g | 160 | mm | - |
| | g ₃ | 142 | mm | - |
| | g ₅ | 284 | mm | - |
| | h | 340 | mm | - |
| | k | 7 | mm | - |
| | m | 840 | mm | - |
| | n | 190 | mm | - |
| | s | M48 | | - |
| 说明 | s ₂ | M20 | | - |
| 尺寸 | t | 610 | mm | - |
| | u | 56 | mm | - |
| 说明 | s ₂ | 8 | | 数量 |
| | | 23076 | | 型号, 轴承 |
| 重量 | m ₁ | 360000 | g | 质量, 轴承座 |
| 说明 | | BND3076 | | 型号, 轴承座 |
| 尺寸 | v | 75 | mm | - |

FAG BND3076-Z-Y-BL-S图片



参考资料:<http://www.sozhou.com/p/25fc31d9.html>