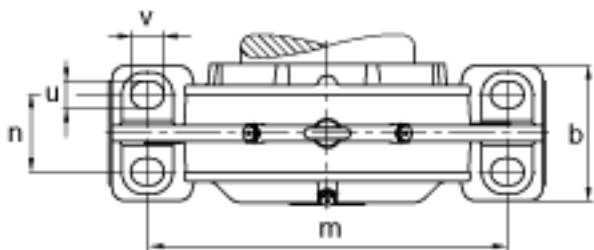
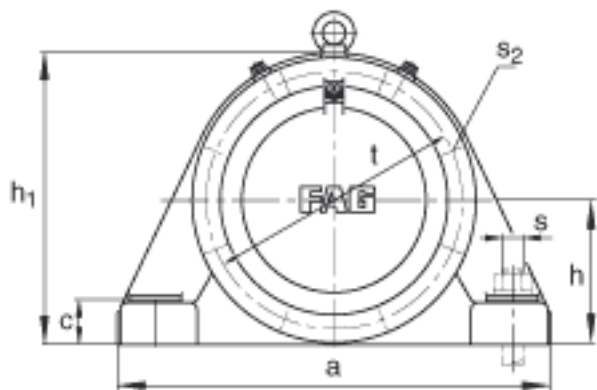
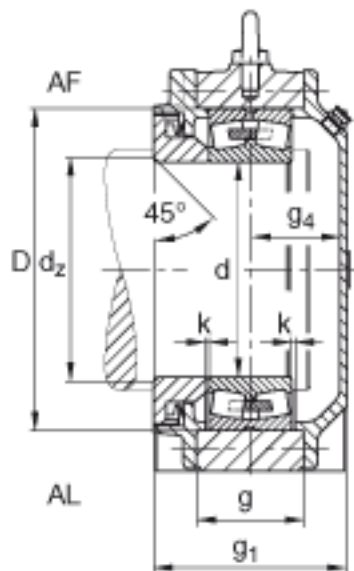


FAG BND3084-Z-T-AF-S参数

| | | | | |
|----|-------|---------|-----|---------|
| 尺寸 | d | 420 | mm | - |
| | a | 1100 | mm | - |
| | h_1 | 755 | mm | - |
| | g_1 | 310 | mm | - |
| | b | 340 | mm | - |
| | c | 115 | mm | - |
| | D | 620 | mm | - |
| | d_z | 440 | mm | - |
| | g | 180 | mm | - |
| | h | 375 | mm | - |
| | m | 940 | mm | - |
| | n | 210 | mm | - |
| | s | M48 | | - |
| | 说明 | s_2 | M20 | |
| 尺寸 | t | 670 | mm | - |
| | v | 75 | mm | - |
| 说明 | s_2 | 8 | | 数量 |
| | | 23084 | | 型号, 轴承 |
| 重量 | m_1 | 435000 | g | 质量, 轴承座 |
| 说明 | | BND3084 | | 型号, 轴承座 |
| 尺寸 | g_4 | 149 | mm | - |
| | u | 56 | mm | - |

FAG BND3084-Z-T-AF-S图片





参考资料:<http://www.sozhou.com/p/29ba502c.html>