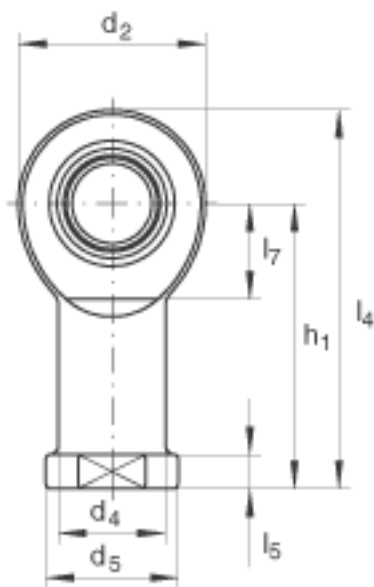
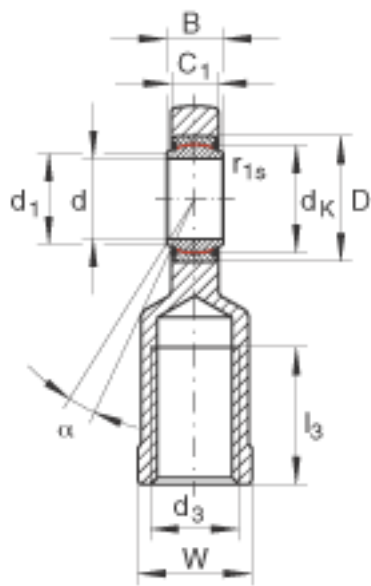
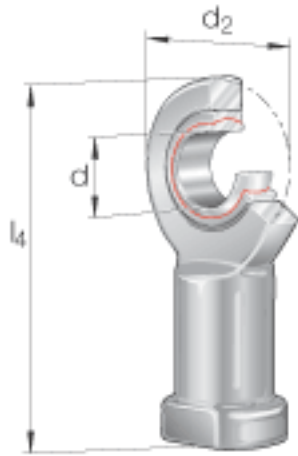


INA GIR10-UK参数

| | | | | |
|--------|---------------|-----------|----|--------------------------|
| 尺寸 | d_5 | 19 | mm | - |
| | d_K | 16 | mm | - |
| | h_1 | 43 | mm | - |
| | l_3 | 20 | mm | - |
| | l_5 | 6.5 | mm | - |
| | l_7 | 15 | mm | - |
| | $r_{1s \min}$ | 0.3 | mm | 倒角尺寸 |
| | W | 17 | mm | - |
| 接触角 | α | 12 | | - |
| 重量 | m | 61 | g | 质量 |
| 基本额定载荷 | C_r | 8650 | N | 基本额定动载荷，径向 |
| | C_{0r} | 22000 | N | 基本额定静载荷，径向 轴承座的基本额定载荷 |
| 尺寸 | d | 10 | mm | 公差：0 / -0,008 |
| | d_2 | 29 | mm | - |
| | l_4 | 57.5 | mm | - |
| 说明 | | 0 - 0.032 | mm | 径向内部游隙 |
| 尺寸 | B | 9 | mm | 公差：0 / -0,12 |
| | C_1 | 7 | mm | - |
| | D | 19 | mm | - |
| | d_1 | 13.2 | mm | - |
| | d_3 | M10 | | - |
| | d_4 | 15 | mm | - |

INA GIR10-UK图片



参考资料:<http://www.sozhou.com/p/31e373eb.html>