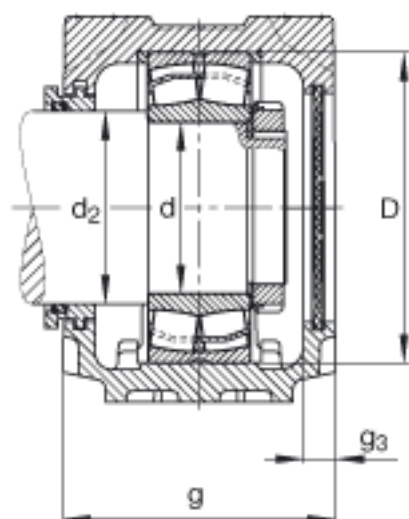
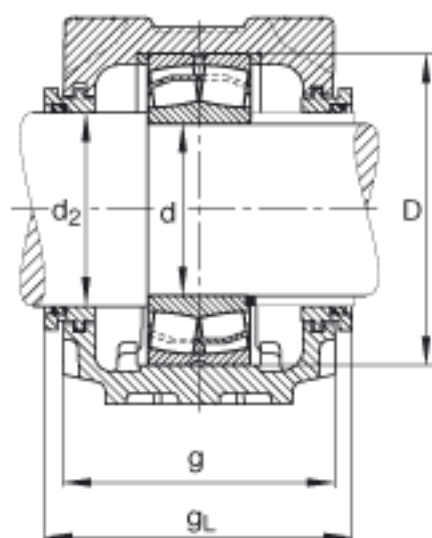


### FAG SNV130-F-L + 21312 + TSV312参数

|    |       |             |    |          |
|----|-------|-------------|----|----------|
| 尺寸 | d     | 60          | mm | -        |
|    | a     | 280         | mm | -        |
|    | $h_1$ | 161         | mm | -        |
|    | g     | 120         | mm | -        |
|    | b     | 80          | mm | -        |
|    | c     | 30          | mm | -        |
|    | D     | 130         | mm | -        |
|    | $d_2$ | 70          | mm | -        |
|    | $g_3$ | 12.5        | mm | -        |
|    | $g_L$ | 134         | mm | -        |
|    | h     | 80          | mm | -        |
|    | m     | 230         | mm | -        |
|    | s     | M16         |    | -        |
|    | s     | 15.875      | mm | -        |
|    | u     | 18          | mm | -        |
|    | v     | 23          | mm | -        |
| 说明 |       | 21312       |    | 型号, 轴承   |
|    |       | KM12        |    | 型号, 锁紧螺母 |
|    |       | MB12        |    | 型号, 爪式垫圈 |
|    |       | FRM130/12.5 |    | 型号, 定位圈  |
|    |       | TSV312      |    | 型号, 迷宫密封 |
|    |       | DKV130      |    | 型号, 端盖   |
|    |       | SNV130-F-L  |    | 型号, 轴承座  |
| 重量 | $m_1$ | 6800        | g  | 质量, 轴承座  |

### FAG SNV130-F-L + 21312 + TSV312图片





参考资料:<http://www.sozhou.com/p/351d68ef.html>