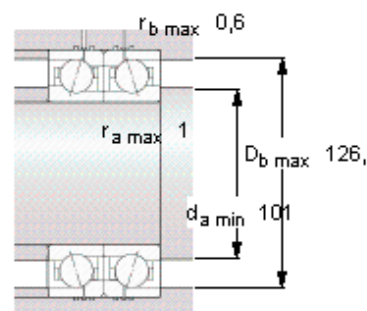
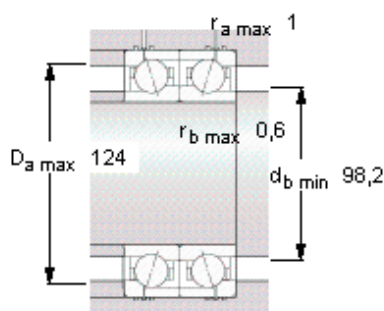
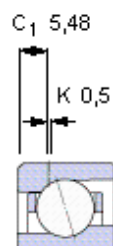
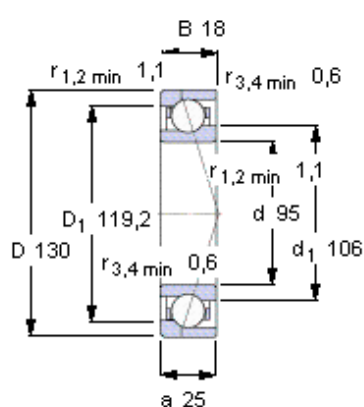


SKF 71919 CE/HCP4AH1参数

主要尺寸	d	95	mm	-
	D	130	mm	-
	B	18	mm	-
基本额定载荷	C	30700	N	动载荷
	C_0	25500	N	静载荷
疲劳载荷极限	P_u	980	N	-
可达转速	Grease	16000	r/min	-
	Oil-air	25000	r/min	-
重量	重量	480	g	-
型号	型号	71919 CE/HCP4AH1	-	-

SKF 71919 CE/HCP4AH1图片



Ball diameter 11,112

Number of balls 25

未安装时的预载荷 [N]

背对背配置，面对面配置

预载荷等级

A	B	C	D
166	500	995	-

Static axial stiffness [N/μm]

(guideline value)

预载荷等级

A	B	C	D
75	119	163	-

Reference grease quantity [cm³]

G_{ref} 7,3

计算系数

for equivalent bearing load

f_0 8,6

for preload in mounted bearing sets

f 1,18

f_1 1

f_{2A} 1

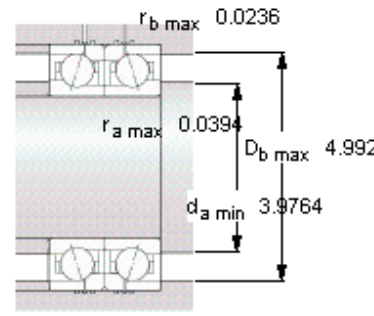
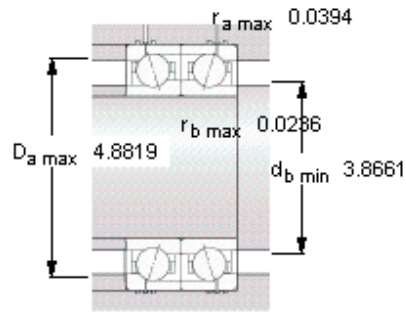
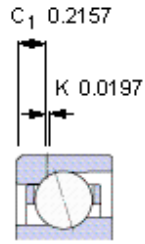
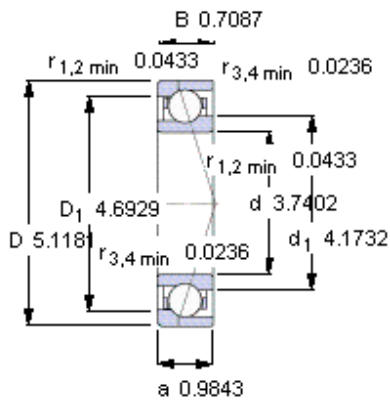
f_{2B} 1,05

f_{2C} 1,09

f_{2D} -

f_{HC} 1,01

参考资料: <http://www.sozhou.com/p/37689626.html>



Ball diameter 11,112
Number of balls 25

未安装时的预载荷 [N]
 背对背配置，面对面配置
 预载荷等级

A	B	C	D
166	500	995	-

Static axial stiffness [N/μm]
 (guideline value)

预载荷等级

A	B	C	D
75	119	163	-

Reference grease quantity [cm³]
 G_{ref} 7,3

计算系数
for equivalent bearing load
 f₀ 8,6

for preload in mounted bearing sets
 f 1,18
 f₁ 1
 f_{2A} 1
 f_{2B} 1,05
 f_{2C} 1,09
 f_{2D} -
 f_{HC} 1,01