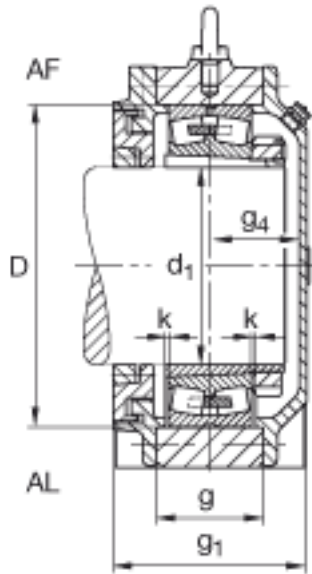


FAG BND2280-H-W-Y-AL-S参数

| | | | | |
|----|----------------|----------|----|---------|
| 尺寸 | d ₁ | 380 | mm | - |
| | a | 1430 | mm | - |
| | h ₁ | 900 | mm | - |
| | g ₁ | 433 | mm | - |
| | b | 450 | mm | - |
| | c | 145 | mm | - |
| | D | 720 | mm | - |
| | g | 229 | mm | - |
| | g ₄ | 202 | mm | - |
| | h | 450 | mm | - |
| | k | 5 | mm | - |
| | m | 1160 | mm | - |
| | n | 240 | mm | - |
| | s | M64 | | - |
| 说明 | s ₂ | M30 | | - |
| 尺寸 | t | 790 | mm | - |
| | u | 72 | mm | - |
| | v | 90 | mm | - |
| 说明 | s ₂ | 8 | | 数量 |
| | | 22280K | | 型号, 轴承 |
| 其他 | | H3180-HG | | 质量, 紧定套 |
| 重量 | m ₁ | 940000 | g | 质量, 轴承座 |
| 说明 | | BND2280 | | 型号, 轴承座 |

FAG BND2280-H-W-Y-AL-S图片



参考资料:<http://www.sozhou.com/p/377ea7bb.html>

