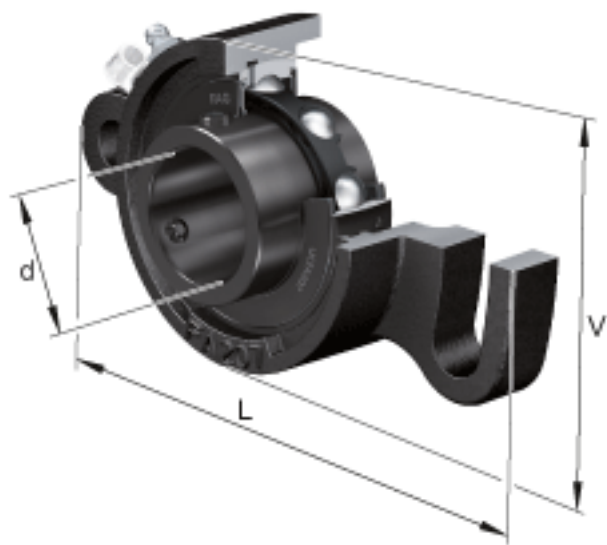
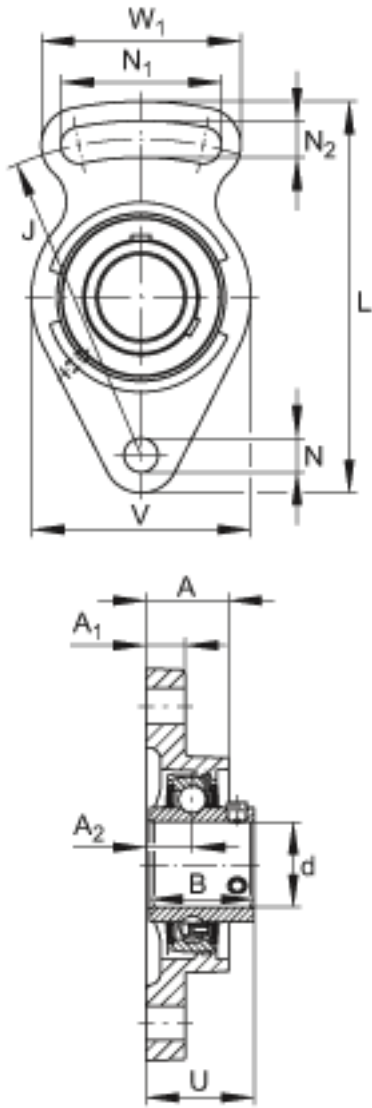


FAG UCFA207参数

| | | | | |
|----|----------------|-------|------|------------|
| 尺寸 | d | 35 | mm | - |
| | L | 161 | mm | - |
| | V | 90 | mm | - |
| | A | 34 | mm | - |
| | A ₁ | 16 | mm | - |
| | A ₂ | 19 | mm | - |
| | B | 42.9 | mm | - |
| | J | 130 | mm | - |
| | N | 14 | mm | - |
| | N ₁ | 66 | mm | - |
| | N ₂ | 14 | mm | - |
| | U | 44.4 | mm | - |
| | W ₁ | 82 | mm | - |
| | 重量 | m | 1230 | g |
| 说明 | | FA207 | | 型号, 轴承座 |
| | | UC207 | | 型号, 外球面球轴承 |

FAG UCFA207图片





参考资料:<http://www.sozhou.com/p/3895eb87.html>