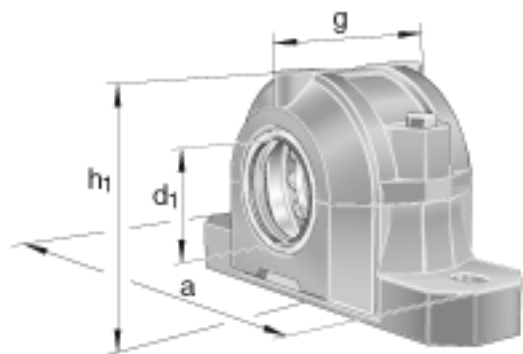
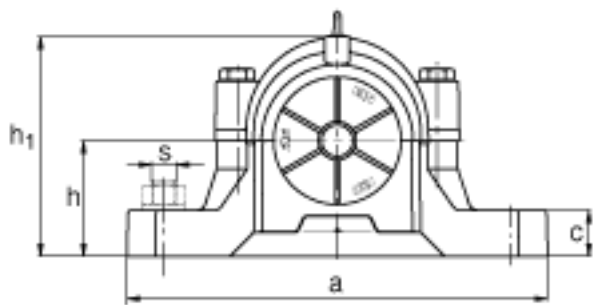
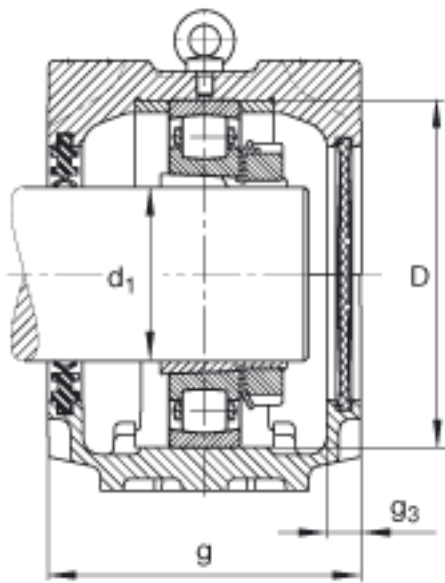
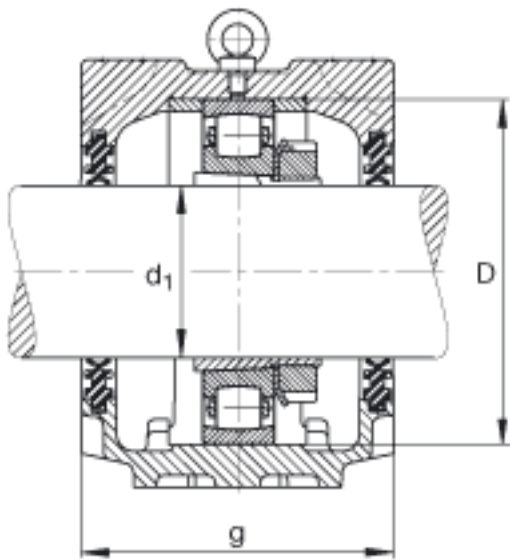


FAG SNV230-F-L + 20226K + H3026 + DH526参数

| | | | | |
|----|------------|-----------|-------|----------|
| 尺寸 | d_1 | 115 | mm | - |
| | a | 445 | mm | - |
| | h_1 | 291 | mm | - |
| | g | 190 | mm | - |
| | b | 130 | mm | - |
| | c | 50 | mm | - |
| | D | 230 | mm | - |
| | g_3 | 18 | mm | - |
| | h | 150 | mm | - |
| | m | 380 | mm | - |
| | s | M24 | | - |
| | s | 25.4 | mm | - |
| | u | 28 | mm | - |
| | v | 35 | mm | - |
| | 重量 | m_1 | 30000 | g |
| 说明 | | 20226K | | 型号, 轴承 |
| | | H3026 | | 质量, 紧定套 |
| | | FRM230/25 | | 型号, 定位圈 |
| | | DH526 | | 型号, 双唇密封 |
| | | DKV230 | | 型号, 端盖 |
| | SNV230-F-L | | | 型号, 轴承座 |

FAG SNV230-F-L + 20226K + H3026 + DH526图片







参考资料:<http://www.sozhou.com/p/38fce415.html>