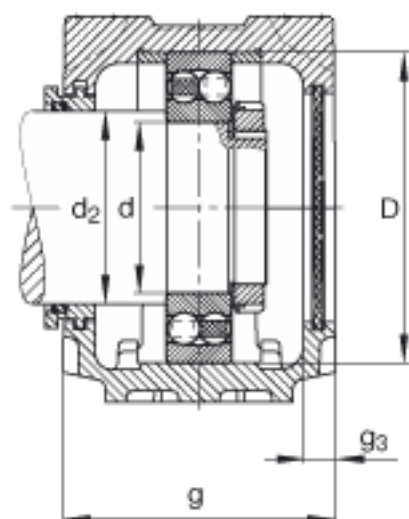
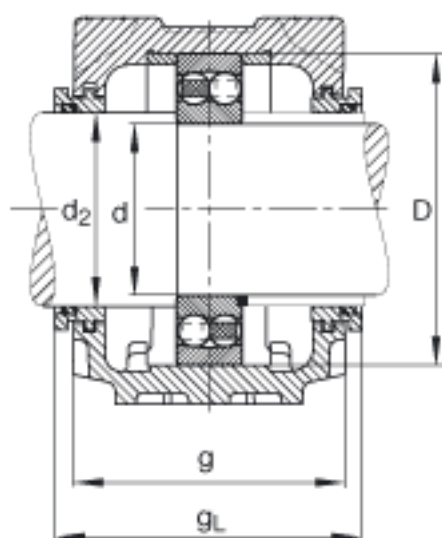


FAG SNV160-F-L + 2315 + TSV315参数

| | | | | |
|----|----------------|------------|----|----------|
| 尺寸 | b | 100 | mm | - |
| | c | 35 | mm | - |
| | D | 160 | mm | - |
| | d ₂ | 85 | mm | - |
| | g _L | 160.3 | mm | - |
| | h | 100 | mm | - |
| | m | 290 | mm | - |
| | s | M20 | | - |
| | s | 19.05 | mm | - |
| | u | 22 | mm | - |
| | v | 27 | mm | - |
| 重量 | m ₁ | 12800 | g | 质量, 轴承座 |
| 说明 | | 2315 | | 型号, 轴承 |
| | | KM15 | | 型号, 锁紧螺母 |
| | | MB15 | | 型号, 爪式垫圈 |
| | | FRM160/5 | | 型号, 定位圈 |
| | | TSV315 | | 型号, 迷宫密封 |
| | | DKV160 | | 型号, 端盖 |
| 尺寸 | | SNV160-F-L | | 型号, 轴承座 |
| | d | 75 | mm | - |
| | a | 345 | mm | - |
| | h ₁ | 201 | mm | - |
| | g | 145 | mm | - |
| | g ₃ | 15 | mm | - |

FAG SNV160-F-L + 2315 + TSV315图片





参考资料:<http://www.sozhou.com/p/3af31e3b.html>