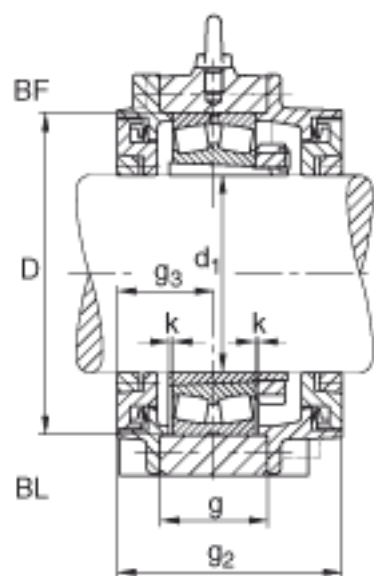


FAG BND3064-H-W-T-BL-S参数

|    |                |          |    |         |
|----|----------------|----------|----|---------|
| 尺寸 | m              | 730      | mm | -       |
|    | n              | 160      | mm | -       |
|    | s              | M36      |    | -       |
| 说明 | s <sub>2</sub> | M16      |    | -       |
| 尺寸 | t              | 530      | mm | -       |
|    | u              | 42       | mm | -       |
|    | v              | 52       | mm | -       |
| 说明 | s <sub>2</sub> | 8        |    | 数量      |
|    |                | 23064K   |    | 型号, 轴承  |
| 其他 |                | H3064-HG |    | 质量, 紧定套 |
| 重量 | m <sub>1</sub> | 250000   | g  | 质量, 轴承座 |
| 说明 |                | BND3064  |    | 型号, 轴承座 |
| 尺寸 | d <sub>1</sub> | 300      | mm | -       |
|    | a              | 860      | mm | -       |
|    | h <sub>1</sub> | 590      | mm | -       |
|    | g <sub>2</sub> | 311      | mm | -       |
|    | b              | 260      | mm | -       |
|    | D              | 480      | mm | -       |
|    | g              | 150      | mm | -       |
|    | g <sub>3</sub> | 133      | mm | -       |
|    | h              | 295      | mm | -       |
|    | k              | 4        | mm | -       |
|    | c              | 90       | mm | -       |

FAG BND3064-H-W-T-BL-S图片



参考资料:<http://www.sozhou.com/p/3d8251c3.html>