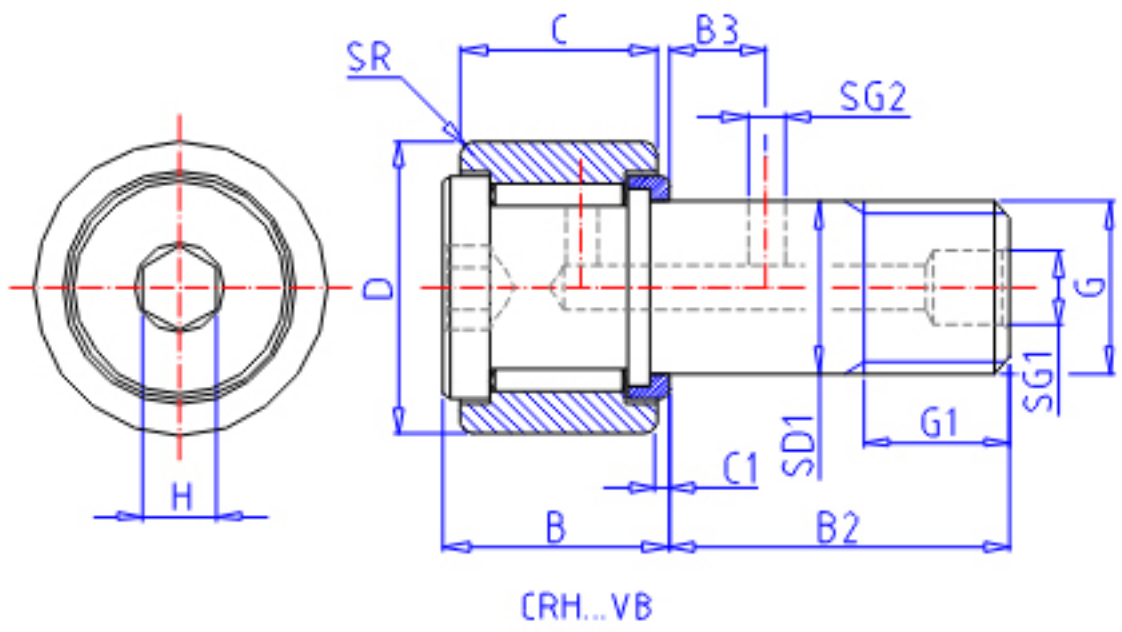


IKO CRH 9VBUU参数

| | | | | | |
|--------|--------|-----------|-------|------|---|
| 杆端直径 | STDRT | 6.350 | mm | 杆端直径 | |
| 型号 | ORDER | CRH 9VBUU | | 型号 | |
| 重量 | MASS | 15 | g | 重量 | |
| 主要尺寸 | D | 14.228 | mm | - | |
| | C | 9.525 | mm | - | |
| | SD1 | 6.350 | mm | - | |
| | G | 1/4-28 | | 螺纹规格 | |
| | G1 | 6.350 | mm | 螺纹尺寸 | |
| | B | 11.1 | mm | - | |
| | B2 | 15.875 | mm | - | |
| | B3 | - | mm | - | |
| | C1 | 0.794 | mm | - | |
| | SG1 | - | mm | - | |
| | SG2 | - | mm | - | |
| | H | 3.175 | mm | - | |
| | R | 0 | mm | - | |
| | SR | 0.397 | mm | (最小) | |
| | 安装尺寸 | SF | 8.334 | mm | - |
| | 最大拧紧扭矩 | TRQ | 3.4 | N.m | - |
| 基本额定载荷 | CR | 4710 | N | 动载荷 | |
| | COR | 5410 | N | 静载荷 | |

IKO CRH 9VBUU图片





参考资料:<http://www.sozhou.com/p/44fd3047.html>

