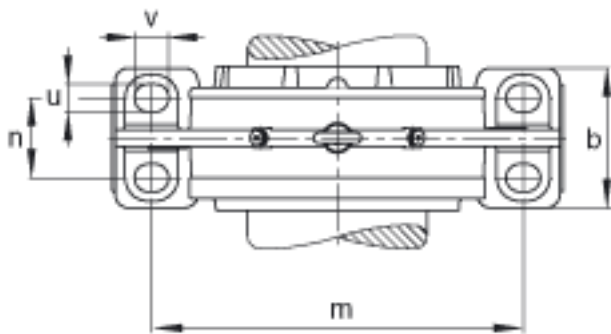
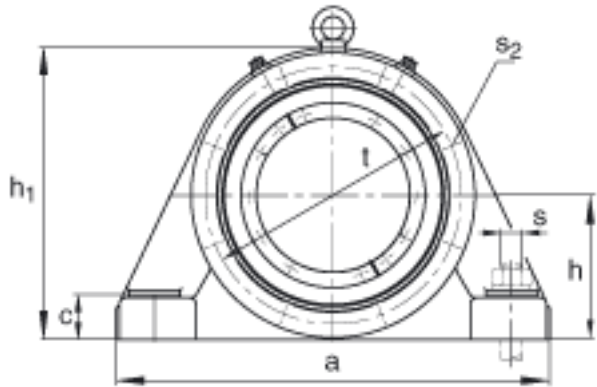
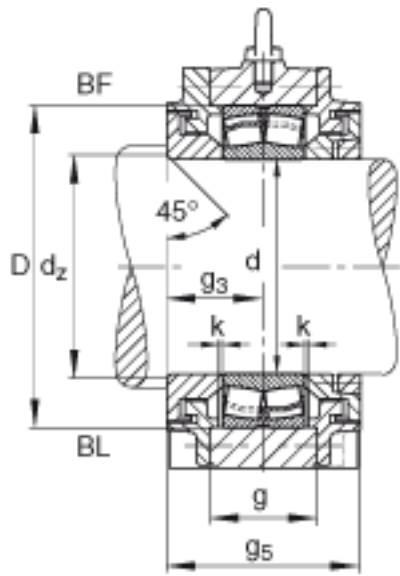


FAG BND3028-Z-Y-BF-S参数

| | | | | | |
|----|-------|---------|-----|---------|---|
| 尺寸 | d | 140 | mm | - | |
| | a | 430 | mm | - | |
| | h_1 | 275 | mm | - | |
| | b | 130 | mm | - | |
| | c | 40 | mm | - | |
| | D | 210 | mm | - | |
| | d_z | 148 | mm | - | |
| | g | 70 | mm | - | |
| | g_3 | 68 | mm | - | |
| | g_5 | 136 | mm | - | |
| | h | 140 | mm | - | |
| | m | 360 | mm | - | |
| | n | 70 | mm | - | |
| | s | M24 | | - | |
| | 说明 | s_2 | M10 | | - |
| | 尺寸 | t | 240 | mm | - |
| | | u | 30 | mm | - |
| v | | 35 | mm | - | |
| 说明 | s_2 | 8 | | 数量 | |
| | | 23028 | | 型号, 轴承 | |
| 重量 | m_1 | 35000 | g | 质量, 轴承座 | |
| 说明 | | BND3028 | | 型号, 轴承座 | |

FAG BND3028-Z-Y-BF-S图片





参考资料:<http://www.sozhou.com/p/45b64084.html>