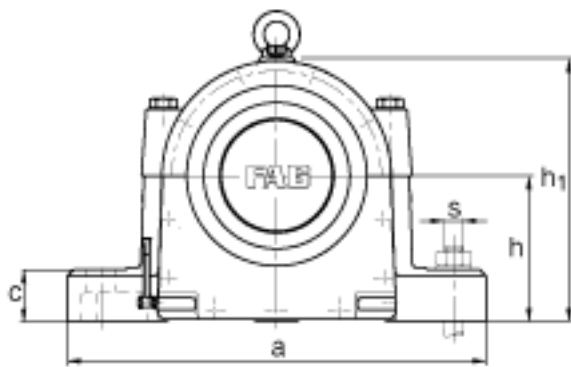
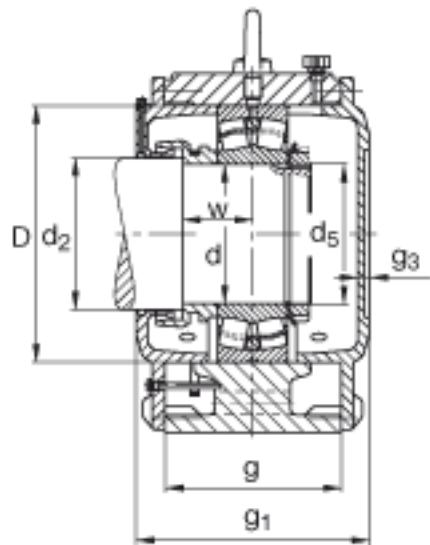
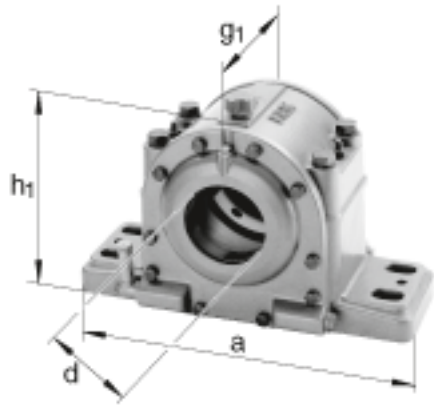


FAG LOE218-N-AF-L参数

| | | | | |
|----|----------------|---------------|----|----------|
| 尺寸 | d | 90 | mm | - |
| | a | 410 | mm | - |
| | h ₁ | 245 | mm | - |
| | g ₁ | 225 | mm | - |
| 说明 | | 45-60 | mm | 油位高度 |
| 尺寸 | b | 150 | mm | - |
| | c | 48 | mm | - |
| | D | 160 | mm | - |
| | d ₂ | 95 | mm | - |
| | d ₅ | M90x2 | | - |
| | g | 160 | mm | - |
| | g ₃ | 17.5 | mm | - |
| | h | 135 | mm | - |
| | m | 340 | mm | - |
| | n | 80 | mm | - |
| | s | M20 | | - |
| | u | 25 | mm | - |
| | v | 35 | mm | - |
| | w | 61 | mm | - |
| 说明 | | 22218 | | 型号, 轴承 |
| | | KM18 | | 型号, 锁紧螺母 |
| | | MB18 | | 型号, 爪式垫圈 |
| | | 1.5 l | | 初始润滑油量 |
| 重量 | m ₁ | 47000 | g | 质量, 轴承座 |
| 说明 | | LOE218-N-AF-L | | 型号, 轴承座 |

FAG LOE218-N-AF-L图片



参考资料:<http://www.sozhou.com/p/47f13c65.html>

