

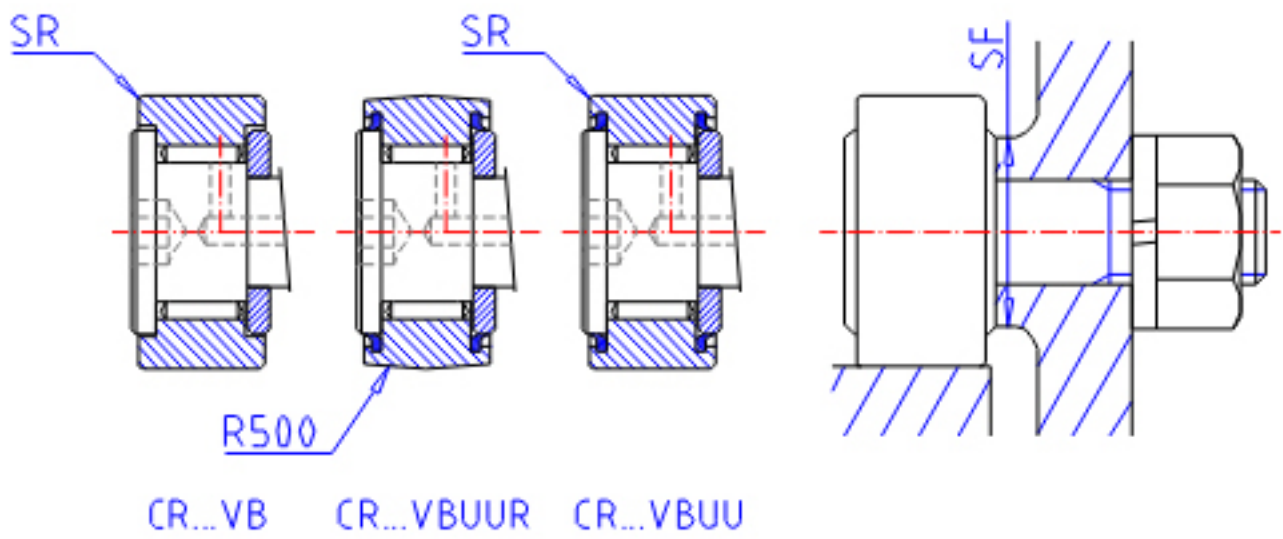
IKO CR 16VB参数

| | | | | | |
|--------|--------|---------|--------|------|---|
| 杆端直径 | STDRT | 11.112 | mm | 杆端直径 | |
| 型号 | ORDER | CR 16VB | | 型号 | |
| 重量 | MASS | 74 | g | 重量 | |
| 主要尺寸 | D | 25.400 | mm | - | |
| | C | 15.875 | mm | - | |
| | SD1 | 11.112 | mm | - | |
| | G | 7/16-20 | | 螺纹规格 | |
| | G1 | 12.700 | mm | 螺纹尺寸 | |
| | B | 17.3 | mm | - | |
| | B2 | 25.400 | mm | - | |
| | B3 | 6.35 | mm | - | |
| | C1 | 0.794 | mm | - | |
| | SG1 | 4.762 | mm | - | |
| | SG2 | 3.175 | mm | - | |
| | H | 6.350 | mm | - | |
| | SR | 1.191 | mm | (最小) | |
| | 安装尺寸 | SF | 17.859 | mm | - |
| | 最大拧紧扭矩 | TRQ | 17.4 | N. m | - |
| 基本额定载荷 | CR | 13100 | N | 动载荷 | |
| | COR | 22700 | N | 静载荷 | |

IKO CR 16VB图片



CR..VBR



参考资料:<http://www.sozhou.com/p/48bc6658.html>

