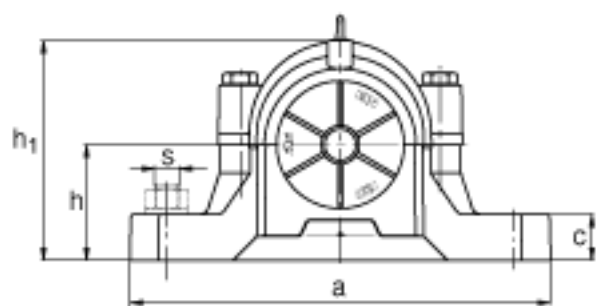
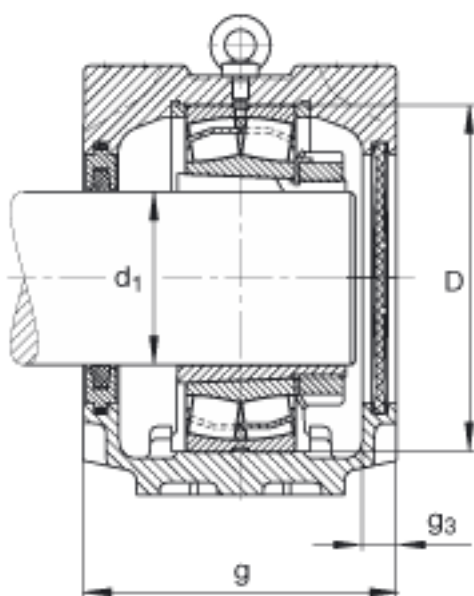
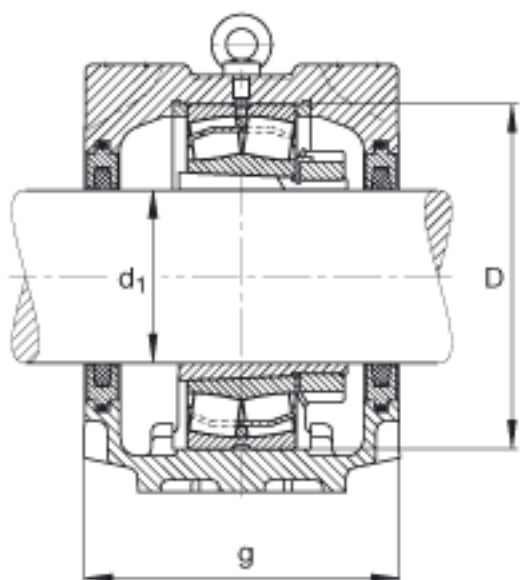


FAG SNV280-F-L + 22326K + H2326 + FSV526参数

| | | | | | |
|----|-------|------------|--------|----------|---------|
| 尺寸 | h_1 | 344 | mm | - | |
| | g | 205 | mm | - | |
| | b | 160 | mm | - | |
| | c | 60 | mm | - | |
| | D | 280 | mm | - | |
| | g_3 | 18 | mm | - | |
| | h | 170 | mm | - | |
| | m | 470 | mm | - | |
| | s | M30 | | - | |
| | s | 31.75 | mm | - | |
| | u | 35 | mm | - | |
| | v | 42 | mm | - | |
| | 重量 | m_1 | 55000 | g | 质量, 轴承座 |
| | 说明 | | 22326K | | 型号, 轴承 |
| | | H2326 | | 质量, 紧定套 | |
| | | FRM280/5 | | 型号, 定位圈 | |
| | | FSV526 | | 型号, 毛毡密封 | |
| | | DKV230 | | 型号, 端盖 | |
| | | SNV280-F-L | | 型号, 轴承座 | |
| 尺寸 | d_1 | 115 | mm | - | |
| | a | 550 | mm | - | |

FAG SNV280-F-L + 22326K + H2326 + FSV526图片







参考资料:<http://www.sozhou.com/p/48bd0c9b.html>