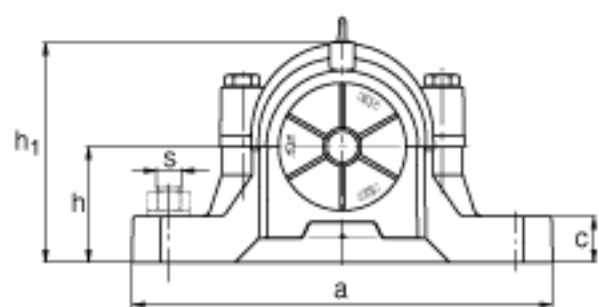
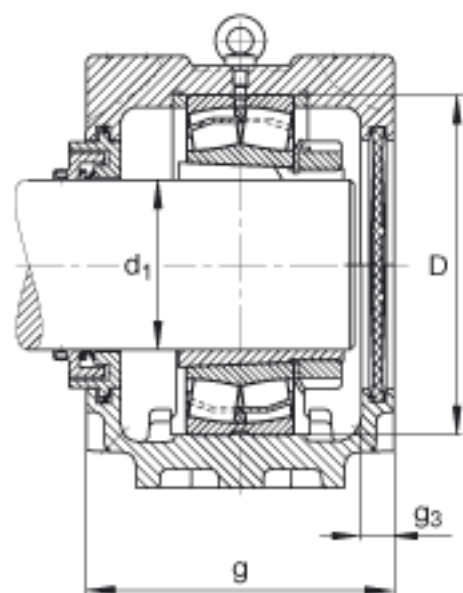
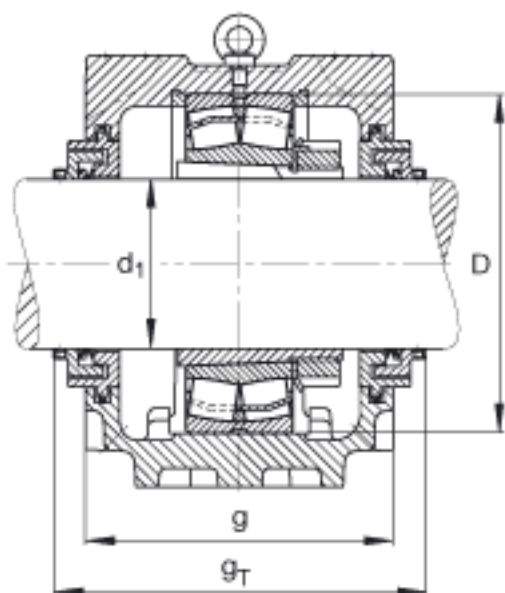


FAG SNV240-F-L + 22322K + H2322X314 + TCV522X314参数

| | | | | |
|----|-------|------------|-------|-----------------|
| 尺寸 | d_1 | 98.425 | mm | - |
| | a | 450 | mm | - |
| | h_1 | 298 | mm | - |
| | g | 185 | mm | - |
| | b | 130 | mm | - |
| | c | 50 | mm | - |
| | D | 240 | mm | - |
| | g_3 | 18 | mm | - |
| | g_T | 226 | mm | - |
| | h | 150 | mm | - |
| | m | 390 | mm | - |
| | s | M24 | | - |
| | s | 25.4 | mm | - |
| | u | 28 | mm | - |
| | v | 35 | mm | - |
| | 重量 | m_1 | 32000 | g |
| 说明 | | 22322K | | 型号, 轴承 |
| | | H2322X314 | | 质量, 紧定套 |
| | | FRM240/5 | | 型号, 定位圈 |
| | | TCV522.314 | | 型号, Taconite 密封 |
| | | DKV200 | | 型号, 端盖 |
| | | SNV240-F-L | | 型号, 轴承座 |

FAG SNV240-F-L + 22322K + H2322X314 + TCV522X314图片







参考资料:<http://www.sozhou.com/p/4dc8fc36.html>