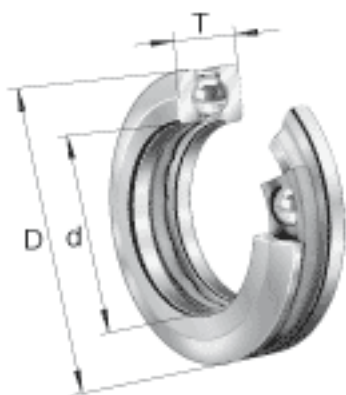


FAG 53324-MP参数

| | | | | | |
|----------|--------------|--------|--------|-------------|-------------|
| 尺寸 | d | 120 | mm | - | |
| | D | 210 | mm | - | |
| | T | 74.1 | mm | - | |
| | A | 63 | mm | - | |
| | D_1 | 123 | mm | - | |
| | $D_{a \max}$ | 165 | mm | - | |
| | d_1 | 205 | mm | - | |
| | $d_{a \min}$ | 174 | mm | - | |
| | R | 160 | mm | - | |
| | $r_{a \max}$ | 2.1 | mm | - | |
| | r_{\min} | 2.1 | mm | - | |
| | 重量 | m | 10600 | g | 质量 |
| | 基本额定载荷 | C_a | 325000 | N | 基本额定动载荷, 轴向 |
| C_{0a} | | 915000 | N | 基本额定静载荷, 轴向 | |
| 尺寸 | A | 4.5 | | 最小载荷系数 | |
| 极限转速 | n_G | 1610 | r/min | 极限转速 | |
| 疲劳极限载荷 | C_{ua} | 31500 | N | 疲劳极限载荷, 轴向 | |

FAG 53324-MP图片





参考资料:<http://www.sozhou.com/p/4dd30ea6.html>