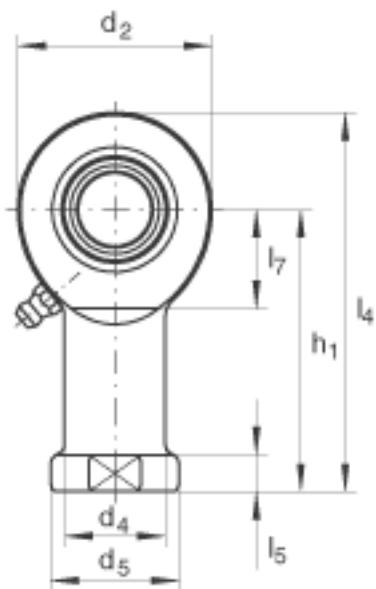
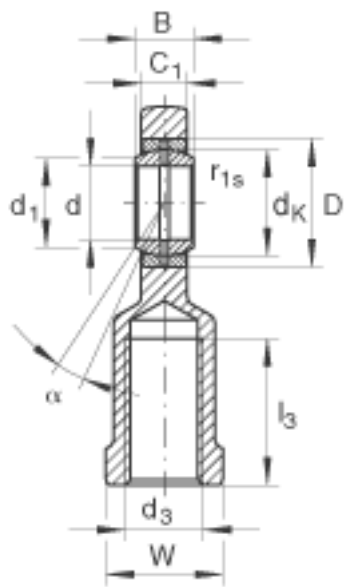
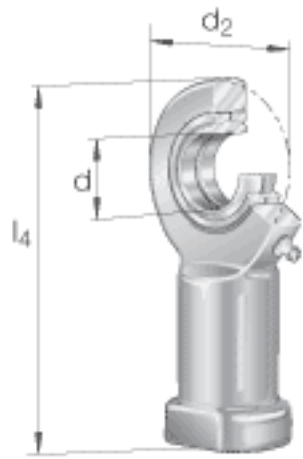


INA GIR35-D0-2RS参数

| | | | | |
|--------|---------------|-------------|----|--------------------------|
| 基本额定载荷 | C_r | 80000 | N | 基本额定动载荷，径向 |
| | C_{0r} | 159000 | N | 基本额定静载荷，径向 轴承座的基本额定载荷 |
| 尺寸 | d | 35 | mm | 公差：0 / -0,012 |
| | d_2 | 82 | mm | - |
| | l_4 | 166 | mm | - |
| 说明 | | 0.037 - 0.1 | mm | 径向内部游隙 CN |
| 尺寸 | B | 25 | mm | 公差：0 / -0,12 |
| | C_1 | 21 | mm | - |
| | D | 55 | mm | - |
| | d_1 | 39.7 | mm | - |
| | d_3 | M36x3 | | - |
| | d_4 | 47 | mm | - |
| | d_5 | 58 | mm | - |
| | d_K | 47 | mm | - |
| | h_1 | 125 | mm | - |
| | l_3 | 60 | mm | - |
| | l_5 | 15 | mm | - |
| | l_7 | 42 | mm | - |
| | $r_{1s \min}$ | 0.6 | mm | 倒角尺寸 |
| | W | 50 | mm | - |
| 接触角 | α | 6 | | - |
| 重量 | m | 1300 | g | 质量 |

INA GIR35-D0-2RS图片



参考资料:<http://www.sozhou.com/p/4e0251f4.html>