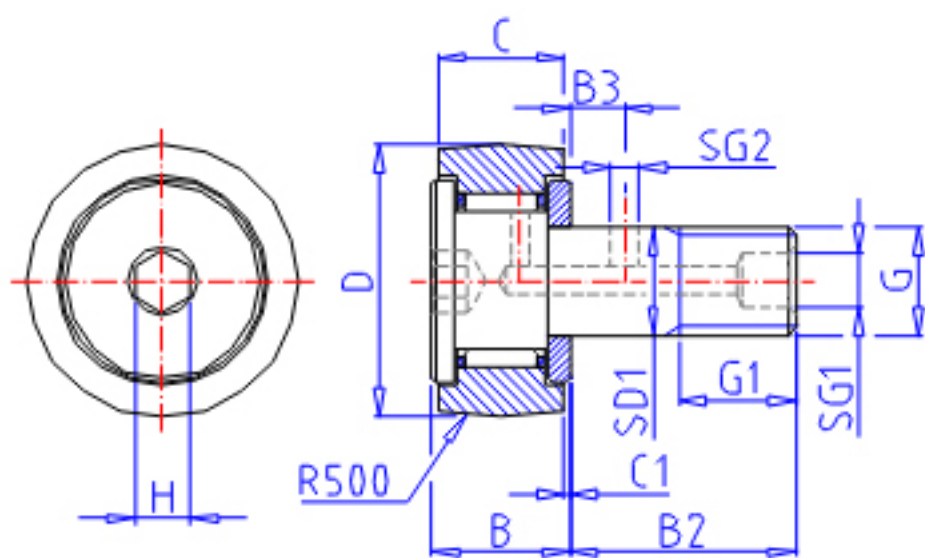


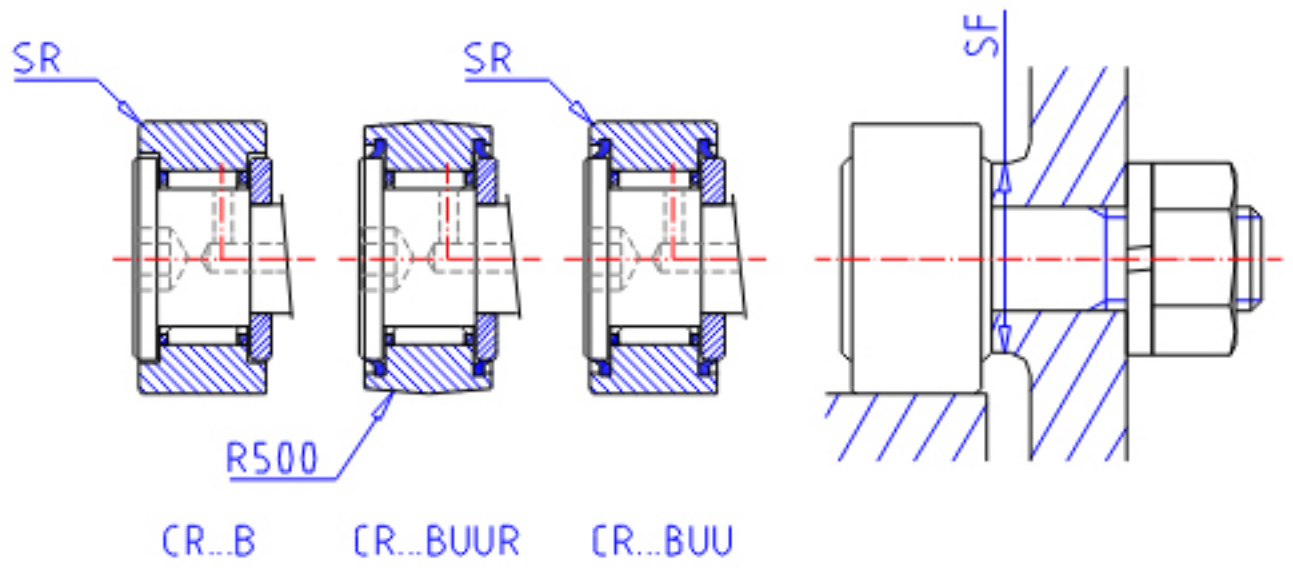
IKO CR 14BR参数

| | | | | | |
|--------|--------|---------|--------|------|---|
| 杆端直径 | STDRT | 9.525 | mm | 杆端直径 | |
| 型号 | ORDER | CR 14BR | | 型号 | |
| 重量 | MASS | 46 | g | 重量 | |
| 主要尺寸 | D | 22.225 | mm | - | |
| | C | 12.700 | mm | - | |
| | SD1 | 9.525 | mm | - | |
| | G | 3/8-24 | | 螺纹规格 | |
| | G1 | 9.525 | mm | 螺纹尺寸 | |
| | B | 14.2 | mm | - | |
| | B2 | 22.225 | mm | - | |
| | B3 | 6.35 | mm | - | |
| | C1 | 0.794 | mm | - | |
| | SG1 | 4.762 | mm | - | |
| | SG2 | 2.381 | mm | - | |
| | H | 4.762 | mm | - | |
| | SR | - | mm | (最小) | |
| | 安装尺寸 | SF | 15.081 | mm | - |
| | 最大拧紧扭矩 | TRQ | 10.8 | N. m | - |
| 基本额定载荷 | CR | 4790 | N | 动载荷 | |
| | COR | 5810 | N | 静载荷 | |

IKO CR 14BR图片



CR...BR



参考资料:<http://www.sozhou.com/p/5301b5a8.html>

