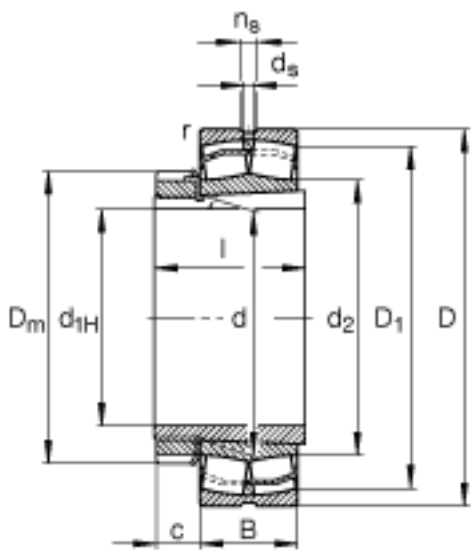
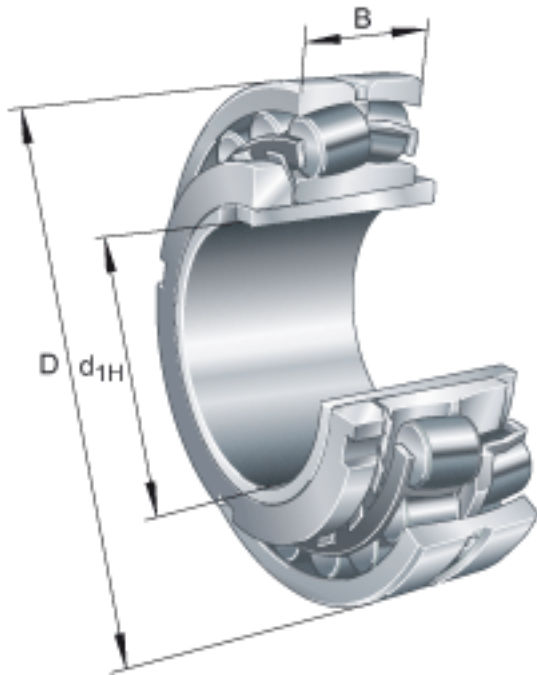


FAG 22319-E1-K + H2319参数

| | | | | |
|--------|--------------|--------|-------|-------------|
| 尺寸 | d_{1H} | 85 | mm | - |
| | D | 200 | mm | - |
| | B | 67 | mm | - |
| | $B_{a \min}$ | 7 | mm | - |
| | c | 19 | mm | - |
| | D_1 | 171.2 | mm | - |
| | $D_{a \max}$ | 186 | mm | - |
| | D_m | 125 | mm | - |
| | d | 95 | mm | - |
| | d_2 | 116 | mm | - |
| | $d_{a \max}$ | 115 | mm | - |
| | $d_{b \min}$ | 105 | mm | - |
| | d_s | 6.3 | mm | - |
| | l | 90 | mm | - |
| | n_s | 12.2 | mm | - |
| | $r_{a \max}$ | 2.5 | mm | - |
| | r_{\min} | 3 | mm | - |
| 说明 | | H2319 | | 质量, 紧定套 |
| 重量 | m | 9460 | g | 质量 |
| | m_1 | 1950 | g | 质量, 紧定套 |
| 基本额定载荷 | C_r | 670000 | N | 基本额定动载荷, 径向 |
| 计算系数 | e | 0.33 | | - |
| | Y_1 | 2.03 | | - |
| | Y_2 | 3.02 | | - |
| 基本额定载荷 | C_{0r} | 700000 | N | 基本额定静载荷, 径向 |
| 计算系数 | Y_0 | 1.98 | | - |
| 极限转速 | n_G | 3700 | r/min | 极限转速 |

| | | | | |
|--------|----------|-------|-------|-----------|
| 参考转速 | n_B | 2850 | r/min | 参考速度 |
| 疲劳极限载荷 | C_{ur} | 60000 | N | 疲劳极限载荷，径向 |

FAG 22319-E1-K + H2319图片



参考资料:<http://www.sozhou.com/p/53921d7c.html>

