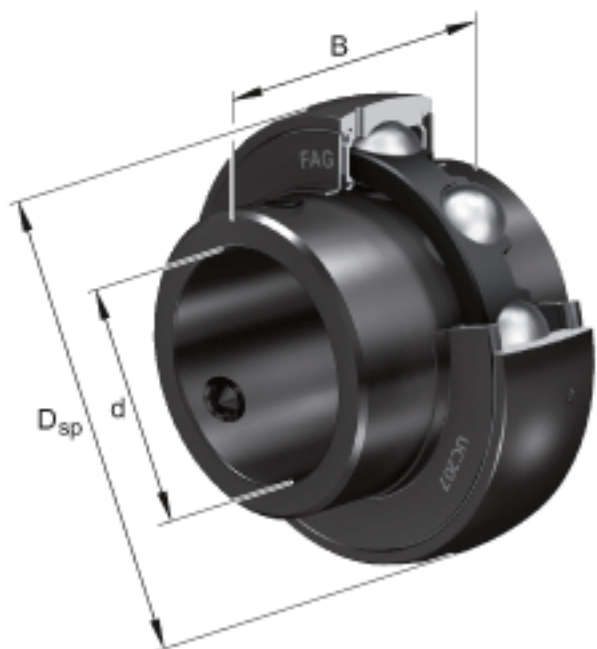


FAG UC208-25参数

| | | | | |
|--------|----------|---------|----|------------|
| 尺寸 | d | 39.6875 | mm | - |
| | D_{SP} | 80 | mm | - |
| | B | 49.2 | mm | - |
| | A | 8 | mm | - |
| | C | 21 | mm | - |
| | C_2 | 21.6 | mm | - |
| | C_a | 6.2 | mm | - |
| | d_1 | 52.27 | mm | - |
| | S | 19 | mm | - |
| | W | 63.5 | mm | - |
| 重量 | m | 630 | g | 重量 |
| 基本额定载荷 | C_r | 32500 | N | 基本额定动载荷，径向 |
| | C_{0r} | 19800 | N | 基本额定静载荷，径向 |

FAG UC208-25图片



参考资料:<http://www.sozhou.com/p/56b6db0b.html>

