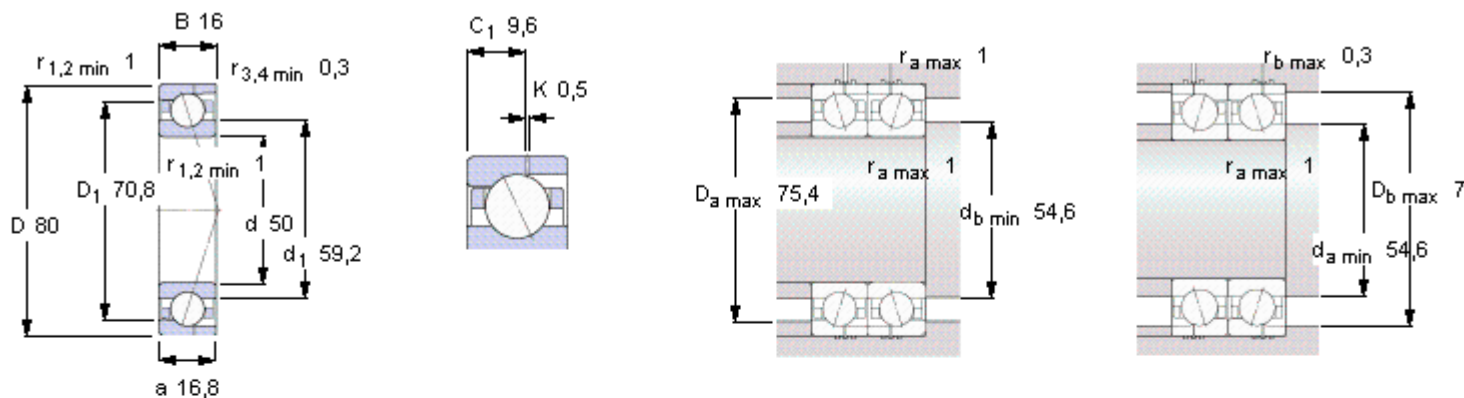


SKF 7010 CD/HCP4AH参数

主要尺寸	d	50	mm	-
	D	80	mm	-
	B	16	mm	-
基本额定载荷	C	29600	N	动载荷
	C_0	24000	N	静载荷
疲劳载荷极限	P_u	1020	N	-
可达转速	Grease	20000	r/min	-
	Oil-air	32000	r/min	-
重量	重量	220	g	-
型号	型号	7010 CD/HCP4AH	-	-

SKF 7010 CD/HCP4AH图片



Ball diameter 9,525

Number of balls 18

未安装时的预载荷 [N]

背对背配置，面对面配置

预载荷等级

A	B	C	D
110	220	440	880

Static axial stiffness [N/μm]

(guideline value)

预载荷等级

A	B	C	D
64	88	124	179

Reference grease quantity [cm³]

G_{ref} 3,6

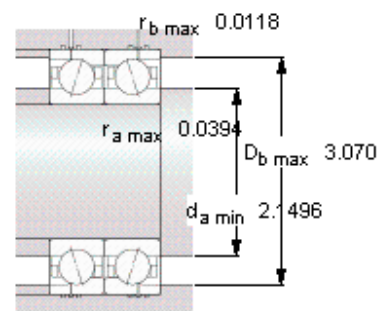
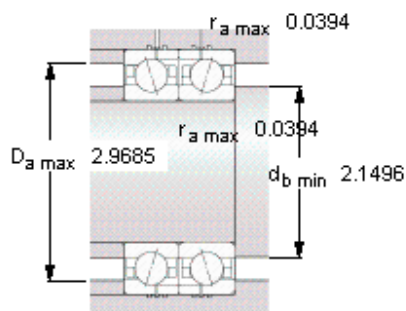
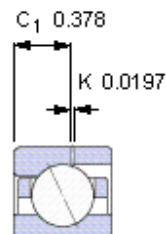
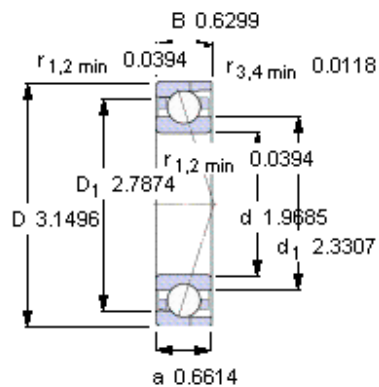
计算系数

for equivalent bearing load

f_0 15,4

for preload in mounted bearing sets

- f 1,11
- f_1 1
- f_{2A} 1
- f_{2B} 1,02
- f_{2C} 1,05
- f_{2D} 1,09
- f_{HC} 1,02



Ball diameter 9,525

Number of balls 18

未安装时的预载荷 [N]

背对背配置，面对面配置

预载荷等级

A	B	C	D
110	220	440	880

Static axial stiffness [N/μm]

(guideline value)

预载荷等级

A	B	C	D
64	88	124	179

Reference grease quantity [cm³]

G_{ref} 3,6

计算系数

for equivalent bearing load

f₀ 15,4

for preload in mounted bearing sets

f 1,11

f₁ 1

f_{2A} 1

f_{2B} 1,02

f_{2C} 1,05

f_{2D} 1,09

f_{HC} 1,02