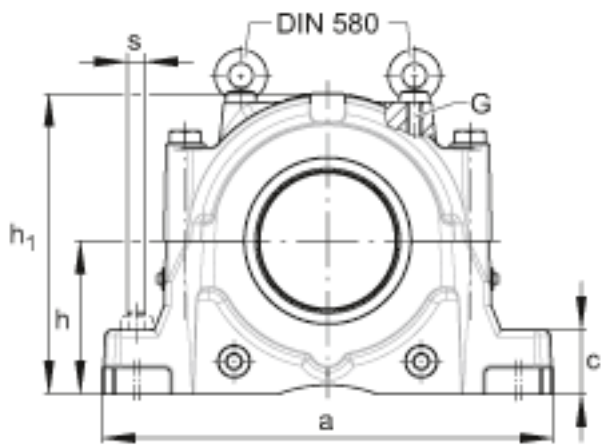
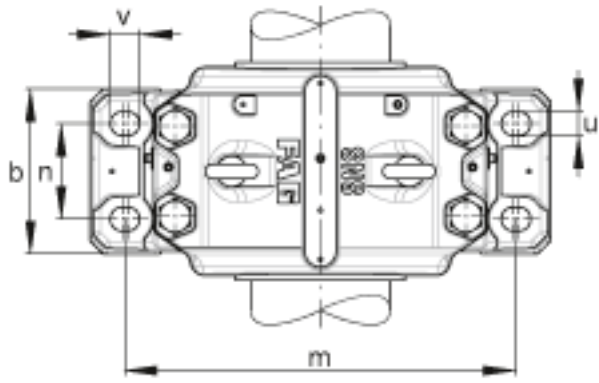


FAG SNS3092-Z-D + 23092 + 2 NFR680/30, 5 + NTS530 + NDK530参数

| | | | | |
|----|----------|-------------|--------|------------------|
| 尺寸 | d_2 | 500 | mm | - |
| | e | 35 | mm | - |
| | g_L | 471 | mm | - |
| | g_{LD} | 465.5 | mm | - |
| | h | 410 | mm | - |
| | k | 224 | mm | - |
| | m | 1000 | mm | - |
| | n | 260 | mm | - |
| | s | 42 | mm | - |
| | u | 48 | mm | - |
| | v | 60 | mm | - |
| | 重量 | m | 788000 | g |
| 说明 | | 23092 | | 轴承 |
| | | NFR680/30.5 | | 固定环 2件 |
| | | NTS530 | | 迷宫式密封 |
| | | NDK530 | | 端盖 |
| | | M42 | | 符合DIN 580标准的带孔螺栓 |
| | | SNS3092-Z-D | | 轴承座 |
| 尺寸 | d | 460 | mm | - |
| | a | 1170 | mm | - |
| | h_1 | 810 | mm | - |
| | g | 460 | mm | - |
| 说明 | 1) | | | 定位轴承 |
| | 2) | | | 浮动轴承 |
| 尺寸 | b | 420 | mm | - |
| | c | 130 | mm | - |
| | D | 680 | mm | - |

FAG SNS3092-Z-D + 23092 + 2 NFR680/30, 5 + NTS530 + NDK530图片





参考资料:<http://www.sozhou.com/p/5cc8f489.html>