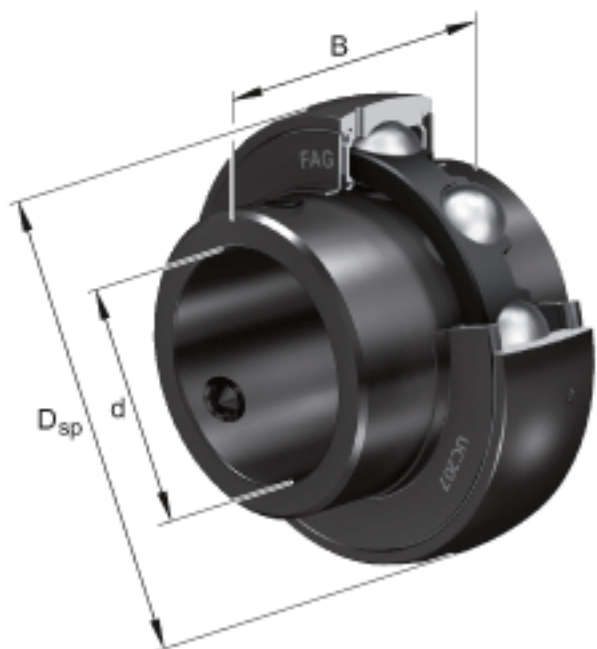


FAG UC202参数

| | | | | |
|--------|----------|-------|----|------------|
| 尺寸 | d | 15 | mm | - |
| | D_{SP} | 47 | mm | - |
| | B | 31 | mm | - |
| | A | 5 | mm | - |
| | C | 17 | mm | - |
| | C_2 | 16.8 | mm | - |
| | C_a | 4.2 | mm | - |
| | d_1 | 27.56 | mm | - |
| | S | 12.7 | mm | - |
| | W | 76.2 | mm | - |
| 重量 | m | 180 | g | 重量 |
| 基本额定载荷 | C_r | 12800 | N | 基本额定动载荷，径向 |
| | C_{0r} | 6600 | N | 基本额定静载荷，径向 |

FAG UC202图片



参考资料:<http://www.sozhou.com/p/5d21adc7.html>

