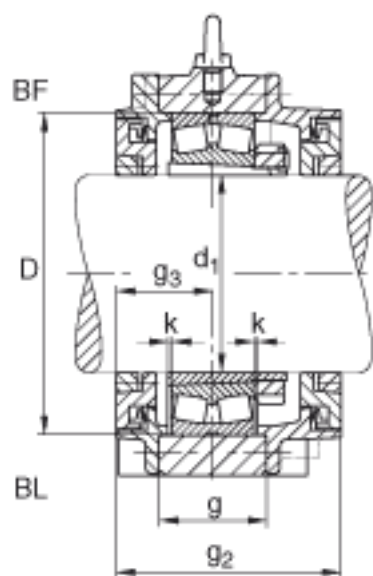
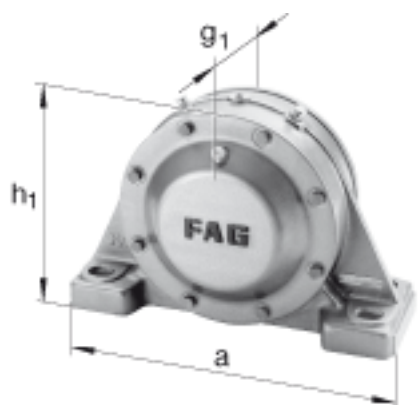


FAG BND3176-H-W-T-BL-S参数

| | | | | |
|----|----------------|----------|----|---------|
| 尺寸 | d ₁ | 360 | mm | - |
| | a | 1200 | mm | - |
| | h ₁ | 790 | mm | - |
| | g ₂ | 459 | mm | - |
| | b | 380 | mm | - |
| | c | 125 | mm | - |
| | D | 620 | mm | - |
| | g | 230 | mm | - |
| | g ₃ | 202 | mm | - |
| | h | 390 | mm | - |
| | k | 5 | mm | - |
| | m | 1000 | mm | - |
| | n | 200 | mm | - |
| | s | M56 | | - |
| 说明 | s ₂ | M30 | | - |
| 尺寸 | t | 680 | mm | - |
| | u | 64 | mm | - |
| | v | 85 | mm | - |
| 说明 | s ₂ | 8 | | 数量 |
| | | 23176K | | 型号, 轴承 |
| 其他 | | H3176-HG | | 质量, 紧定套 |
| 重量 | m ₁ | 720000 | g | 质量, 轴承座 |
| 说明 | | BND3176 | | 型号, 轴承座 |

FAG BND3176-H-W-T-BL-S图片



参考资料:<http://www.sozhou.com/p/5dc5426d.html>