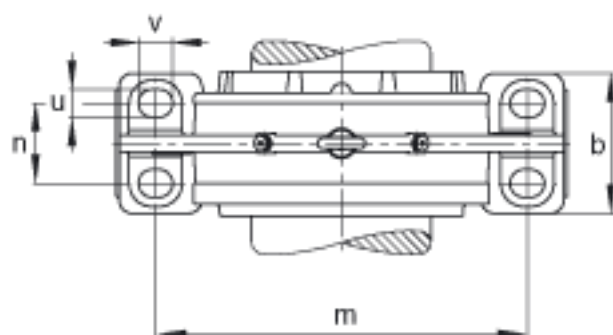
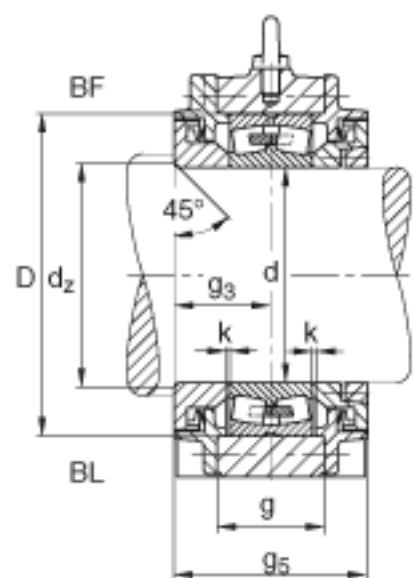


FAG BND3272-Z-T-BL-S参数

| | | | | |
|----|----------------|---------|----|---------|
| 尺寸 | d | 360 | mm | - |
| | a | 1280 | mm | - |
| | h ₁ | 820 | mm | - |
| | b | 400 | mm | - |
| | c | 130 | mm | - |
| | D | 650 | mm | - |
| | d _z | 384 | mm | - |
| | g | 267 | mm | - |
| | g ₃ | 216 | mm | - |
| | g ₅ | 432 | mm | - |
| | h | 410 | mm | - |
| | k | 5 | mm | - |
| | m | 1040 | mm | - |
| | n | 210 | mm | - |
| | s | M64 | | - |
| 说明 | s ₂ | M30 | | - |
| 尺寸 | t | 710 | mm | - |
| | u | 72 | mm | - |
| | v | 90 | mm | - |
| 说明 | s ₂ | 8 | | 数量 |
| | | 23272 | | 型号, 轴承 |
| 重量 | m ₁ | 950000 | g | 质量, 轴承座 |
| 说明 | | BND3272 | | 型号, 轴承座 |

FAG BND3272-Z-T-BL-S图片



参考资料:<http://www.sozhou.com/p/5fca4c73.html>