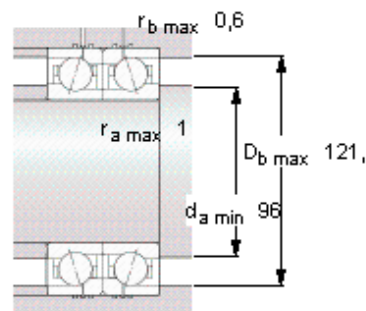
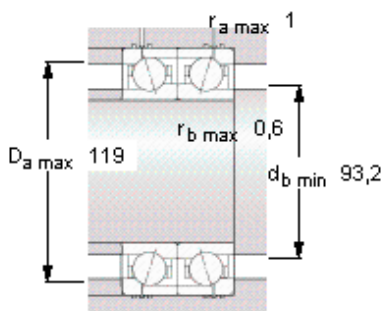
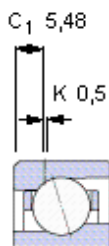
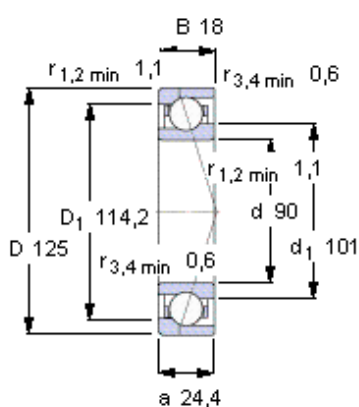


### SKF 71918 CE/HCP4AH1参数

主要尺寸	d	90	mm	-
	D	125	mm	-
	B	18	mm	-
基本额定载荷	C	30200	N	动载荷
	$C_0$	24500	N	静载荷
疲劳载荷极限	$P_u$	965	N	-
可达转速	Grease	17000	r/min	-
	Oil-air	27000	r/min	-
重量	重量	460	g	-
型号	型号	71918 CE/HCP4AH1	-	-

### SKF 71918 CE/HCP4AH1图片



**Ball diameter** 11,112

**Number of balls** 24

**未安装时的预载荷 [N]**

背对背配置，面对面配置

预载荷等级

A	B	C	D
163	488	977	-

**Static axial stiffness [N/μm]**

(guideline value)

预载荷等级

A	B	C	D
72	114	157	-

**Reference grease quantity [cm³]**

$G_{ref}$  7

**计算系数**

for equivalent bearing load

$f_0$  8,5

for preload in mounted bearing sets

f 1,19

$f_1$  1

$f_{2A}$  1

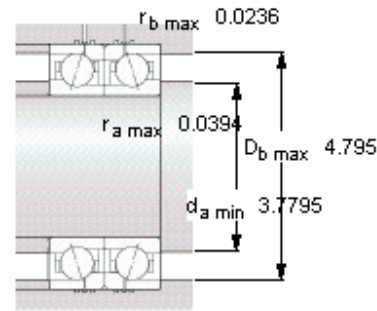
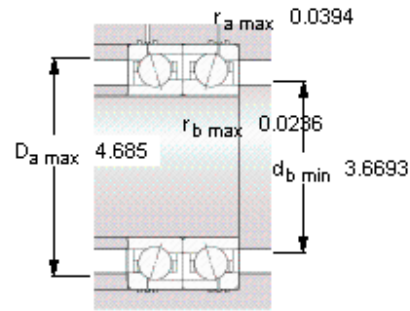
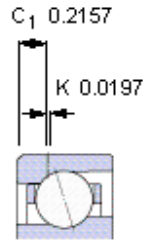
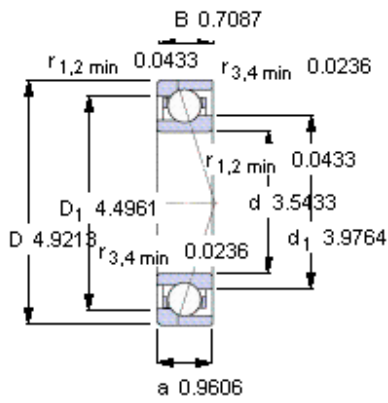
$f_{2B}$  1,05

$f_{2C}$  1,09

$f_{2D}$  -

$f_{HC}$  1,01

参考资料: <http://www.sozhou.com/p/6172449c.html>



**Ball diameter** 11,112  
**Number of balls** 24

**未安装时的预载荷 [N]**

背对背配置，面对面配置

预载荷等级

A	B	C	D
163	488	977	-

**Static axial stiffness [N/μm]**

(guideline value)

预载荷等级

A	B	C	D
72	114	157	-

**Reference grease quantity [cm<sup>3</sup>]**

G<sub>ref</sub> 7

**计算系数**

for equivalent bearing load

f<sub>0</sub> 8,5

for preload in mounted bearing sets

f 1,19

f<sub>1</sub> 1

f<sub>2A</sub> 1

f<sub>2B</sub> 1,05

f<sub>2C</sub> 1,09

f<sub>2D</sub> -

f<sub>HC</sub> 1,01