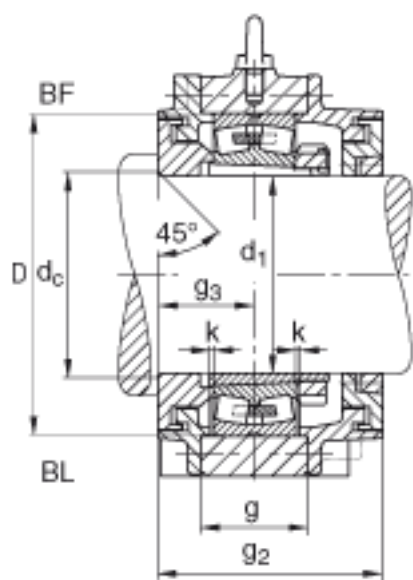


FAG BND2256-H-C-Y-BL-S参数

| | | | | |
|----|----------------|-----------|----|---------|
| 尺寸 | d ₁ | 260 | mm | - |
| | a | 1000 | mm | - |
| | h ₁ | 645 | mm | - |
| | b | 300 | mm | - |
| | c | 100 | mm | - |
| | D | 500 | mm | - |
| | d _c | 280 | mm | - |
| | g | 160 | mm | - |
| | g ₃ | 157 | mm | - |
| | h | 320 | mm | - |
| | k | 4 | mm | - |
| | m | 840 | mm | - |
| | n | 170 | mm | - |
| | s | M36 | | - |
| 说明 | s ₂ | M24 | | - |
| 尺寸 | t | 555 | mm | - |
| | u | 42 | mm | - |
| | v | 52 | mm | - |
| 说明 | s ₂ | 8 | | 数量 |
| | | 22256K | | 型号, 轴承 |
| 其他 | | H3156X-HG | | 质量, 紧定套 |
| 重量 | m ₁ | 420000 | g | 质量, 轴承座 |
| 说明 | | BND2256 | | 型号, 轴承座 |
| 尺寸 | g ₂ | 354 | mm | - |

FAG BND2256-H-C-Y-BL-S图片



参考资料:<http://www.sozhou.com/p/6206d77e.html>