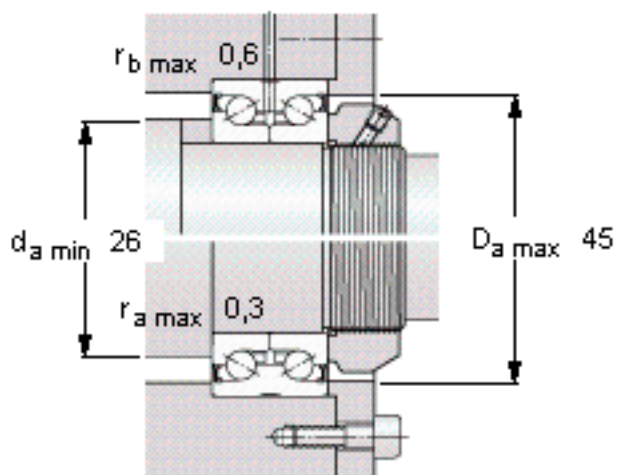
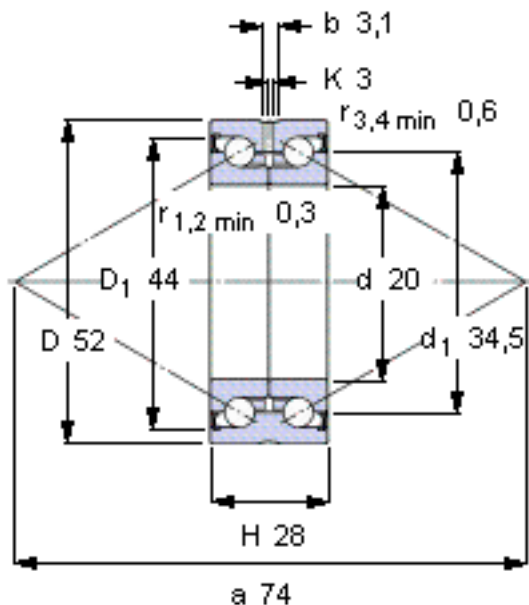


SKF BEAS 020052-2RZ/PE参数

| | | | | |
|--------|------------------|--------------------|-------|-----|
| 主要尺寸 | d | 20 | mm | - |
| | D | 52 | mm | - |
| | H | 28 | mm | - |
| 基本额定载荷 | C | 26000 | N | 动载荷 |
| | C_0 | 46500 | N | 静载荷 |
| 疲劳载荷极限 | P_u | 1730 | N | - |
| 可达转速 | Attainable speed | 6000 | r/min | - |
| 重量 | 重量 | 310 | g | - |
| 型号 | 型号 | BEAS 020052-2RZ/PE | - | - |

SKF BEAS 020052-2RZ/PE图片



Preload¹⁾ [N]

1650

Frictional moment¹⁾ [Nm]

(guideline value)

0,15

¹⁾ Values apply to unmounted bearings

Static stiffness¹⁾

(guideline values)

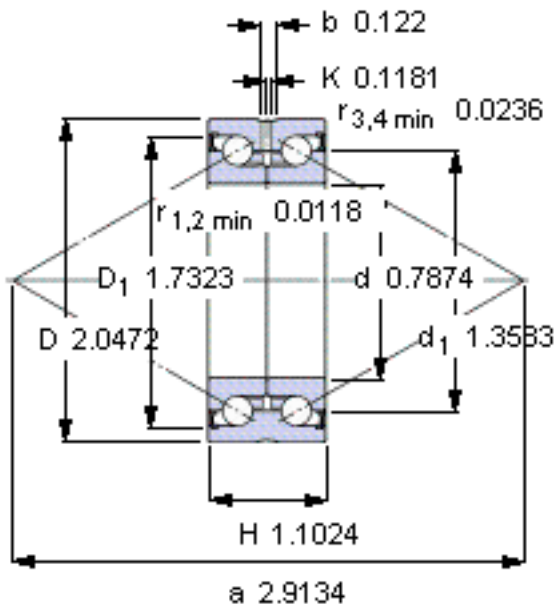
Axial [N/ μm]

650

Moment [Nm/mrad]

150

参考资料: <http://www.sozhou.com/p/629bd509.html>



Preload¹⁾ [N]

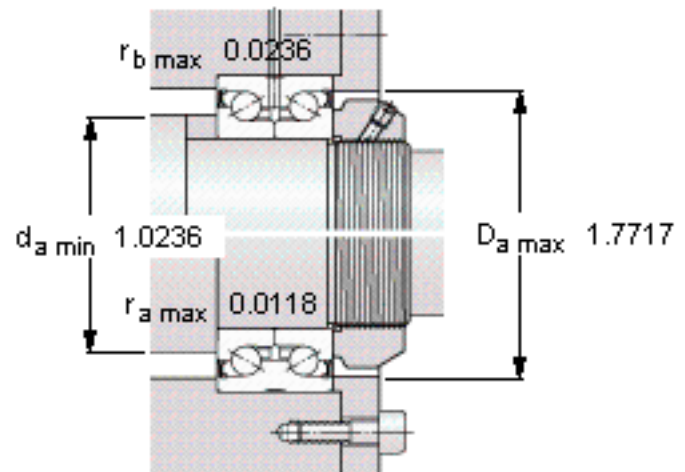
1650

Frictional moment¹⁾ [Nm]

(guideline value)

0,15

1) Values apply to unmounted bearings



Static stiffness¹⁾

(guideline values)

Axial [N/ μm] 650

Moment [Nm/mrad] 150