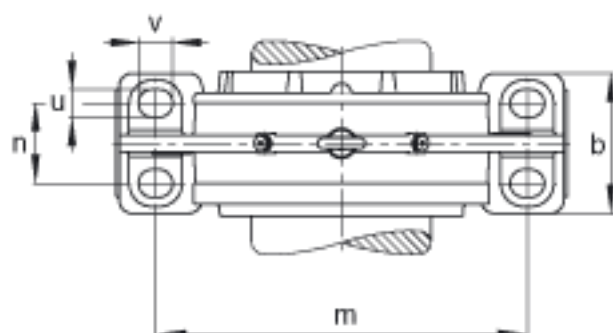
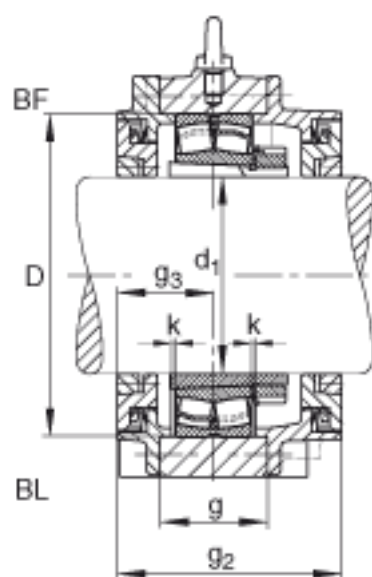
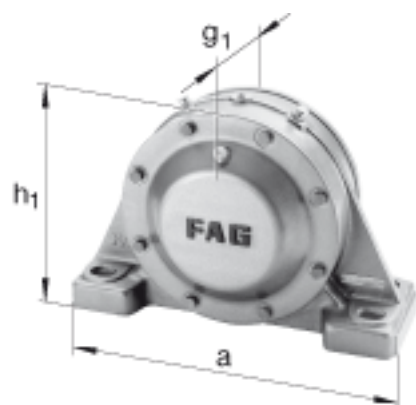


FAG BND3034-H-W-T-BL-S参数

| | | | | |
|----|----------------|---------|----|---------|
| 尺寸 | d ₁ | 150 | mm | - |
| | a | 510 | mm | - |
| | h ₁ | 330 | mm | - |
| | b | 160 | mm | - |
| | c | 50 | mm | - |
| | D | 260 | mm | - |
| | g | 90 | mm | - |
| | g ₃ | 83 | mm | - |
| | h | 165 | mm | - |
| | k | 2 | mm | - |
| | m | 420 | mm | - |
| | n | 95 | mm | - |
| | s | M30 | | - |
| 说明 | s ₂ | M12 | | - |
| 尺寸 | t | 285 | mm | - |
| | u | 36 | mm | - |
| | v | 45 | mm | - |
| 说明 | s ₂ | 8 | | 数量 |
| | | 23034K | | 型号, 轴承 |
| 其他 | | H3034 | | 质量, 紧定套 |
| 重量 | m ₁ | 70000 | g | 质量, 轴承座 |
| 说明 | | BND3034 | | 型号, 轴承座 |
| 尺寸 | g ₂ | 191 | mm | - |

FAG BND3034-H-W-T-BL-S图片



参考资料:<http://www.sozhou.com/p/640e627f.html>