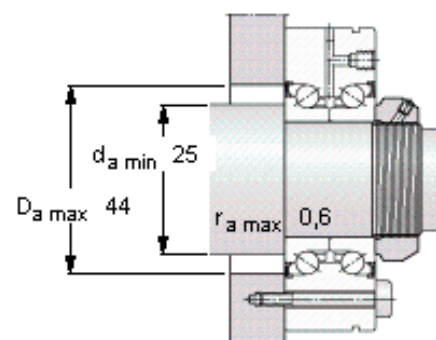
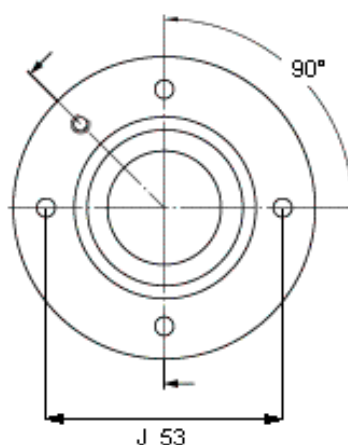
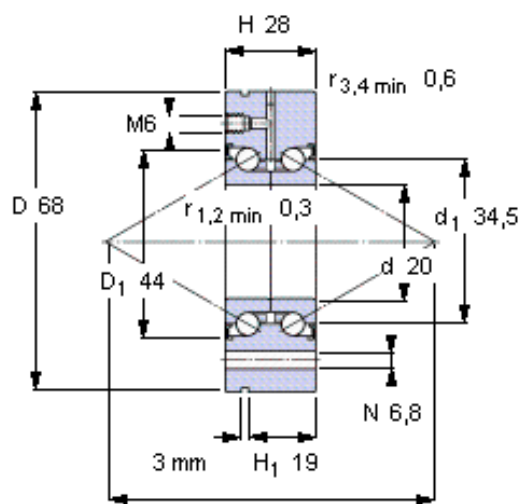


SKF BEAM 020068-2RZ/PE参数

主要尺寸	d	20	mm	-
	D	68	mm	-
	H	28	mm	-
基本额定载荷	C	26000	N	动载荷
	C_0	46500	N	静载荷
疲劳载荷极限	P_u	1730	N	-
可达转速	Attainable speed	6000	r/min	-
重量	重量	610	g	-
型号	型号	BEAM 020068-2RZ/PE	-	-

SKF BEAM 020068-2RZ/PE图片



Preload¹⁾ [N]

1650

Frictional moment¹⁾ [Nm]

(guideline value)

0,15

¹⁾ Values apply to unmounted bearings

Static stiffness¹⁾

(guideline values)

Axial [N/μm] 650

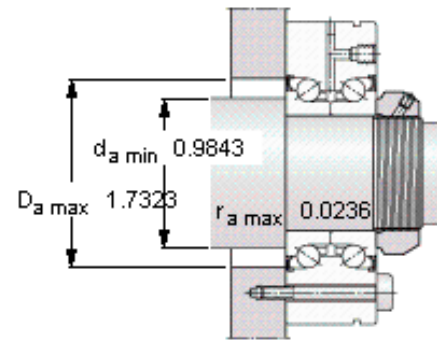
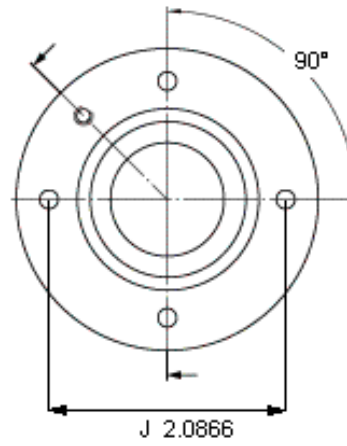
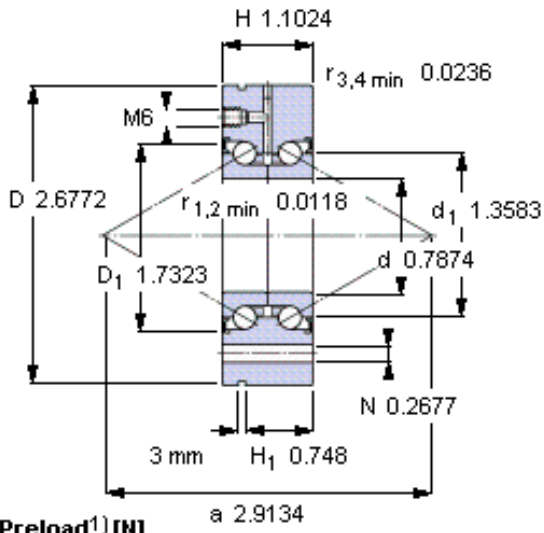
Moment [Nm/mrad] 150

Required attachment bolts

(no. of bolts x pitch)

4 x 90°

参考资料: <http://www.sozhou.com/p/64428995.html>



Preload¹⁾ [N]

1650

Frictional moment¹⁾ [Nm]

(guideline value)

0,15

¹⁾ Values apply to unmounted bearings

Static stiffness¹⁾

(guideline values)

Axial [N/μm] 650

Moment [Nm/mrad] 150

Required attachment bolts

(no. of bolts x pitch)

4 x 90°