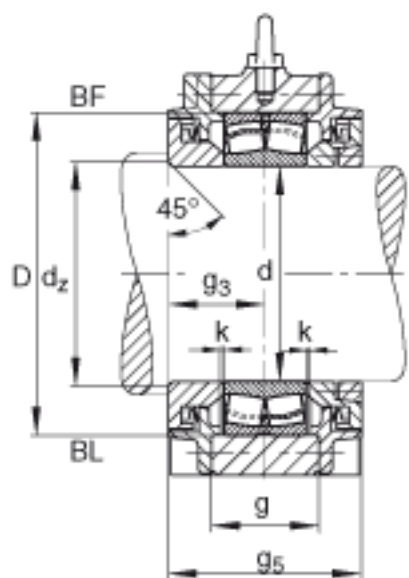


### FAG BND2220-Z-T-BL-S参数

|    |                |         |    |         |
|----|----------------|---------|----|---------|
| 尺寸 | d              | 100     | mm | -       |
|    | a              | 400     | mm | -       |
|    | h <sub>1</sub> | 255     | mm | -       |
|    | b              | 120     | mm | -       |
|    | c              | 40      | mm | -       |
|    | D              | 180     | mm | -       |
|    | d <sub>Z</sub> | 108     | mm | -       |
|    | g              | 65      | mm | -       |
|    | g <sub>3</sub> | 78      | mm | -       |
|    | g <sub>5</sub> | 156     | mm | -       |
|    | k              | 2.5     | mm | -       |
|    | m              | 320     | mm | -       |
|    | n              | 65      | mm | -       |
|    | s              | M24     |    | -       |
| 说明 | s <sub>2</sub> | M8      |    | -       |
| 尺寸 | t              | 205     | mm | -       |
|    | u              | 30      | mm | -       |
|    | v              | 35      | mm | -       |
| 说明 | s <sub>2</sub> | 6       |    | 数量      |
|    |                | 22220   |    | 型号, 轴承  |
| 重量 | m <sub>1</sub> | 30000   | g  | 质量, 轴承座 |
| 说明 |                | BND2220 |    | 型号, 轴承座 |
| 尺寸 | h              | 130     | mm | -       |

### FAG BND2220-Z-T-BL-S图片



参考资料:<http://www.sozhou.com/p/65c9d60a.html>