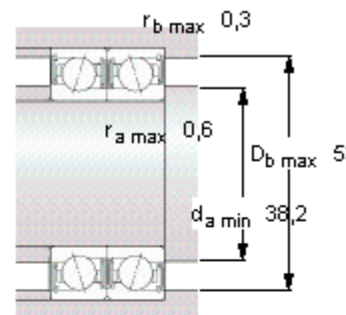
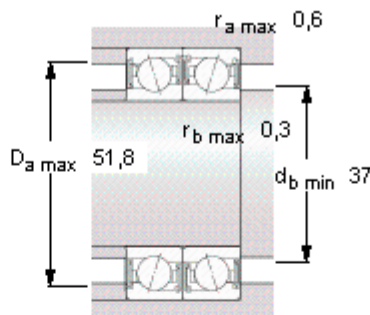
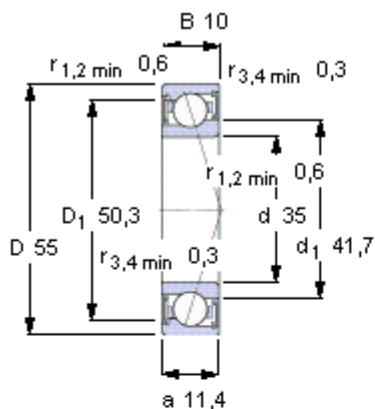


SKF S71907 CE/P4A参数

主要尺寸	d	35	mm	-
	D	55	mm	-
	B	10	mm	-
基本额定载荷	C	7610	N	动载荷
	C_0	4750	N	静载荷
疲劳载荷极限	P_u	200	N	-
可达转速	Grease	36000	r/min	-
	Oil-air	-	r/min	-
重量	重量	74	g	-
型号	型号	S71907 CE/P4A	-	-

SKF S71907 CE/P4A图片



Ball diameter 5,556

Number of balls 19

未安装时的预载荷 [N]

背对背配置，面对面配置

预载荷等级

A	B	C	D
41	125	250	-

Static axial stiffness [N/μm]

(guideline value)

预载荷等级

A	B	C	D
28	43	59	-

Reference grease quantity [cm³]

G_{ref} -

计算系数

for equivalent bearing load

f_0 8,3

for preload in mounted bearing sets

f 1,05

f_1 1

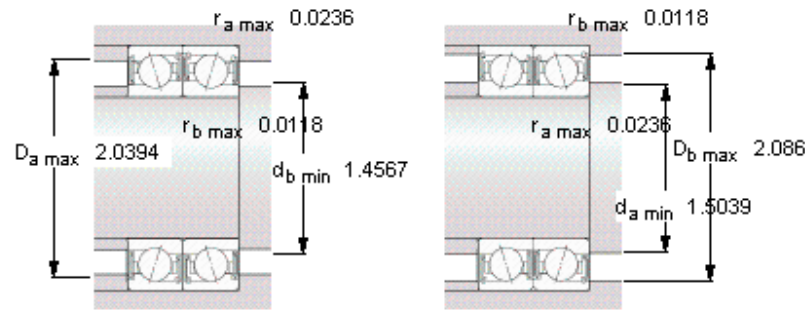
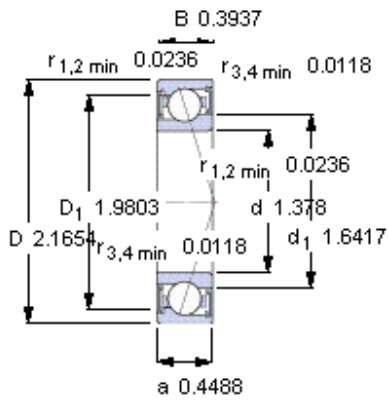
f_{2A} 1

f_{2B} 1,04

f_{2C} 1,08

f_{2D} -

f_{HC} 1



Ball diameter 5,556

Number of balls 19

未安装时的预载荷 [N]

背对背配置，面对面配置

预载荷等级

A	B	C	D
41	125	250	-

Static axial stiffness [N/μm]

(guideline value)

预载荷等级

A	B	C	D
28	43	59	-

Reference grease quantity [cm³]

G_{ref} -

计算系数

for equivalent bearing load

f₀ 8,3

for preload in mounted bearing sets

f 1,05

f₁ 1

f_{2A} 1

f_{2B} 1,04

f_{2C} 1,08

f_{2D} -

f_{HC} 1