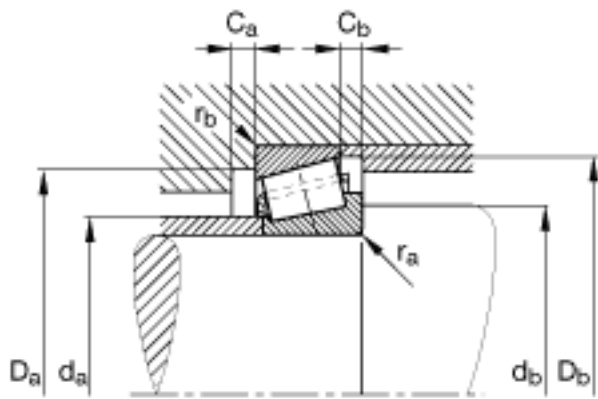


FAG K34306-34478参数

| | | | | | |
|--------|-----------------------|-----------------|--------|------------|-------------|
| 尺寸 | d | 77.788 | mm | - | |
| | D | 121.442 | mm | - | |
| | T | 24.608 | mm | - | |
| | a | 26 | mm | - | |
| | B | 23.012 | mm | - | |
| | C | 17.462 | mm | - | |
| | C _{a min} | 3 | mm | - | |
| | C _{b min} | 7 | mm | - | |
| | D _{a min} | 110 | mm | - | |
| | D _{b min} | 116 | mm | - | |
| | d ₁ | 99.7 | mm | - | |
| | d _{a max} | 84 | mm | - | |
| | d _{b min} | 90 | mm | - | |
| | r _{1, 2 min} | 3.6 | mm | - | |
| | r _{3, 4 min} | 2 | mm | - | |
| | r _{a max} | 3.6 | mm | - | |
| | r _{b max} | 2 | mm | - | |
| | 重量 | m | 932 | g | 质量 |
| | 基本额定载荷 | C _r | 82000 | N | 基本额定动载荷, 径向 |
| | | C _{0r} | 113000 | N | 基本额定静载荷, 径向 |
| 计算系数 | e | 0.45 | | - | |
| | Y | 1.33 | | - | |
| | Y ₀ | 0.73 | | - | |
| 疲劳极限载荷 | C _{ur} | 13800 | N | 疲劳极限载荷, 径向 | |
| 极限转速 | n _G | 5900 | r/min | 极限转速 | |

FAG K34306-34478图片



参考资料:<http://www.sozhou.com/p/6aa95712.html>