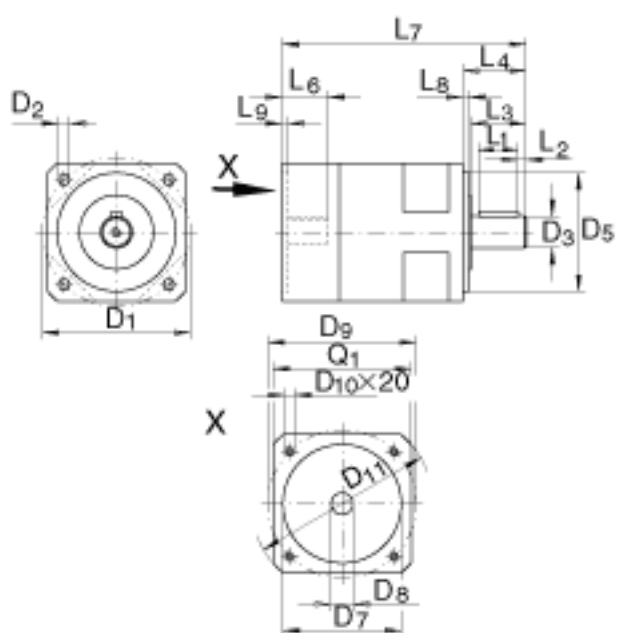
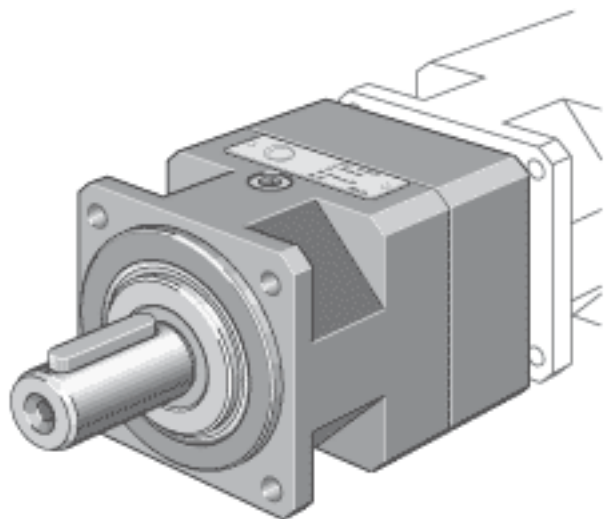


INA PL70参数

| | | | | |
|----|-----------------|----------------|----|------------|
| 尺寸 | D ₁ | 75 | mm | - |
| | D ₁₀ | M5 | | - |
| | D ₁₁ | 92 | mm | - |
| | D ₂ | 5.5 | mm | - |
| | D ₃ | 16 | mm | - |
| | D ₅ | 60 | mm | - |
| | D ₇ | 60 | mm | - |
| | D ₈ | 11 | mm | - |
| | D ₉ | 75 | mm | - |
| | L ₁ | 20 | mm | - |
| | L ₂ | 4 | mm | - |
| 说明 | | I | | 变速箱类型：单级 |
| 尺寸 | L ₃ | 28 | mm | - |
| | L ₄ | 32 | mm | - |
| | L ₆ | 23 | mm | - |
| | L ₇ | 123.5 | mm | - |
| | L ₈ | 3 | mm | - |
| | L ₉ | 3 | mm | - |
| | Q ₁ | 70 | mm | - |
| 重量 | m | 2500 | g | 质量 |
| 说明 | i | 3. 4. 5. 8. 10 | | 可能的折减系数 |
| | | < 3 | | 按角度计算的扭转后冲 |

INA PL70图片



参考资料:<http://www.sozhou.com/p/6af0cb5e.html>