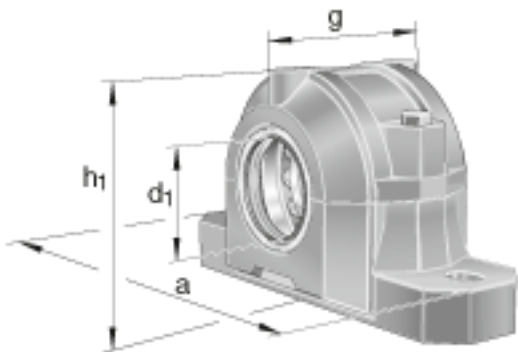
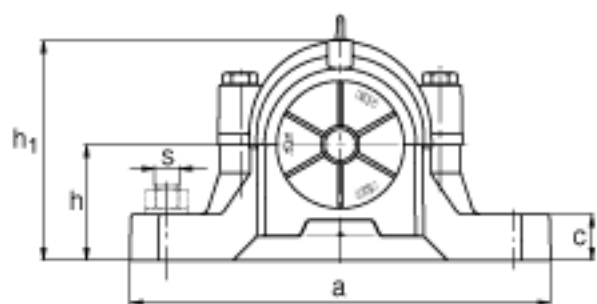
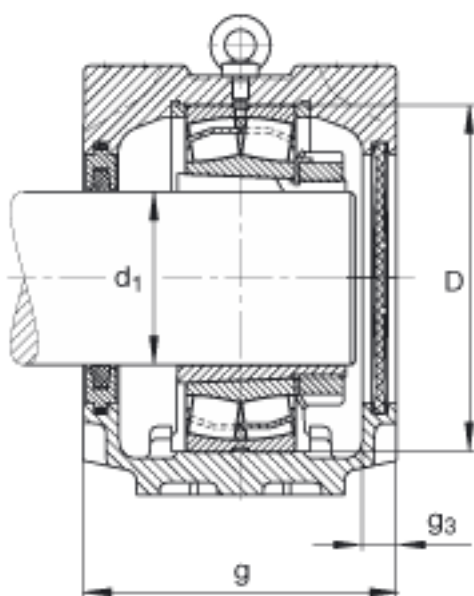
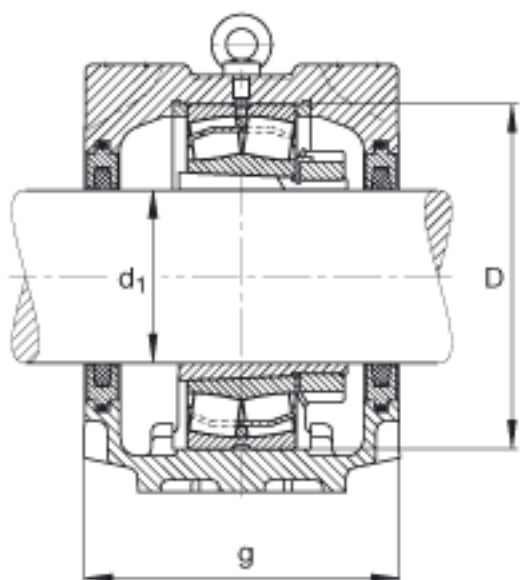


FAG SNV215-F-L + 22320K + H2320X307 + FSV620X307参数

|    |       |            |    |          |
|----|-------|------------|----|----------|
| 尺寸 | s     | 22.225     | mm | -        |
|    | u     | 26         | mm | -        |
|    | v     | 32         | mm | -        |
| 重量 | $m_1$ | 24500      | g  | 质量, 轴承座  |
| 说明 |       | 22320K     |    | 型号, 轴承   |
|    |       | H2320X307  |    | 质量, 紧定套  |
|    |       | FRM215/6.5 |    | 型号, 定位圈  |
|    |       | FSV620.307 |    | 型号, 毛毡密封 |
|    |       | DKV215     |    | 型号, 端盖   |
|    |       | SNV215-F-L |    | 型号, 轴承座  |
| 尺寸 | $d_1$ | 87.3125    | mm | -        |
|    | a     | 410        | mm | -        |
|    | $h_1$ | 271        | mm | -        |
|    | g     | 180        | mm | -        |
|    | b     | 120        | mm | -        |
|    | c     | 45         | mm | -        |
|    | D     | 215        | mm | -        |
|    | $g_3$ | 16         | mm | -        |
|    | h     | 140        | mm | -        |
|    | m     | 350        | mm | -        |
|    | s     | M24        |    | -        |

FAG SNV215-F-L + 22320K + H2320X307 + FSV620X307图片







参考资料:<http://www.sozhou.com/p/71194c12.html>